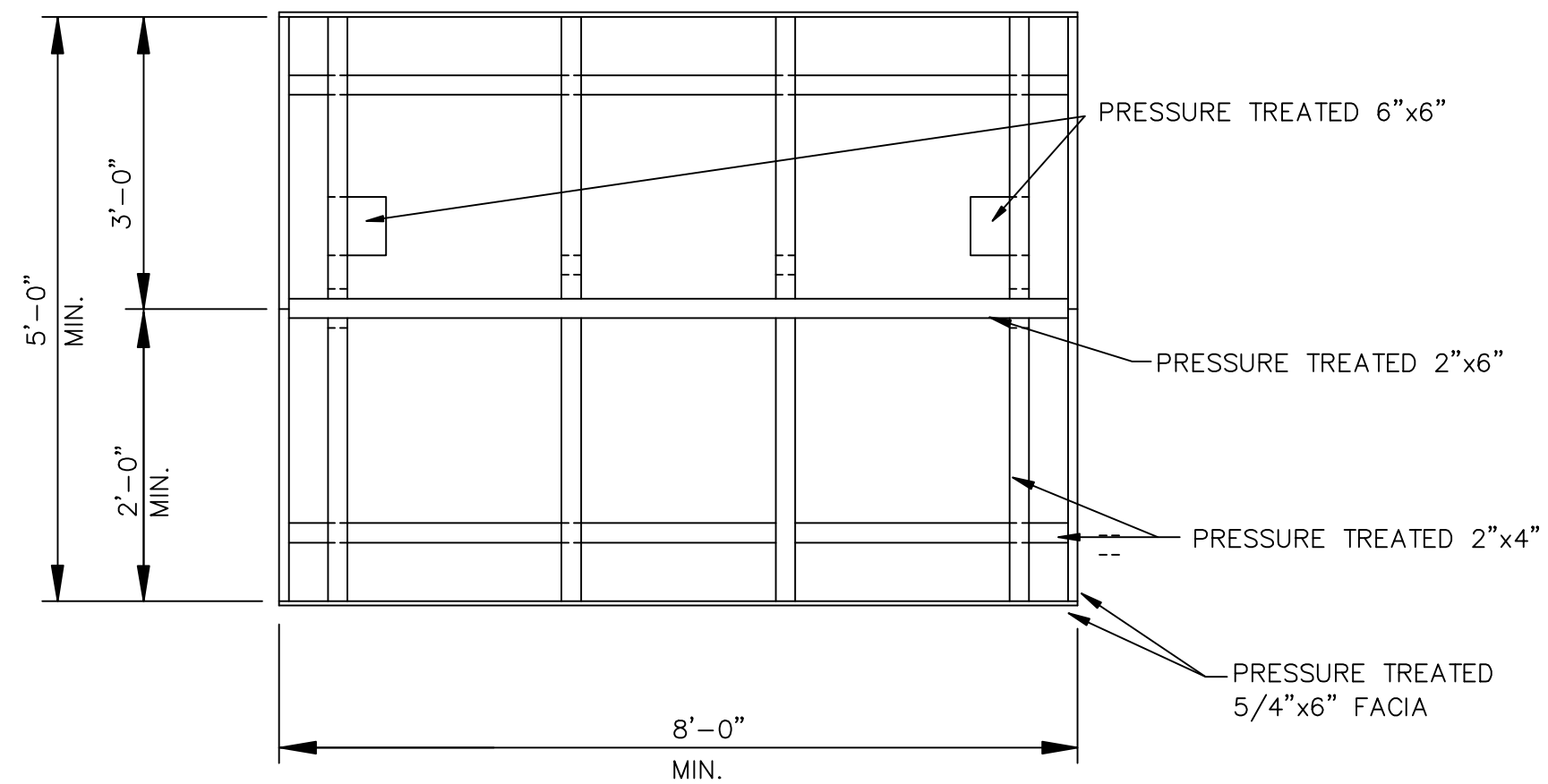


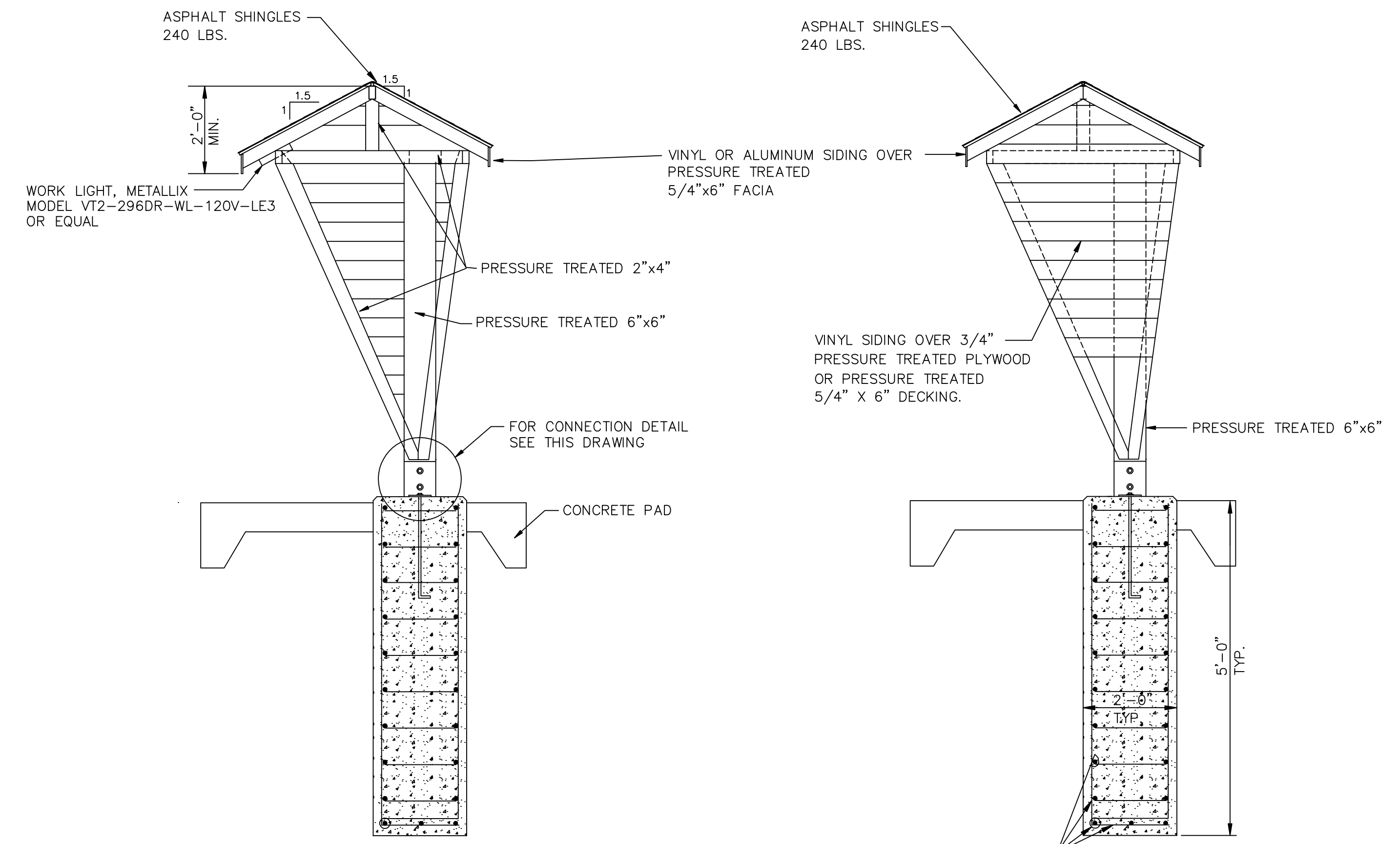
PLAN
PUMP STATION CONTROL PANEL

N.T.S.



ROOF PLAN
CONTROL PANEL SHELTER

N.T.S.

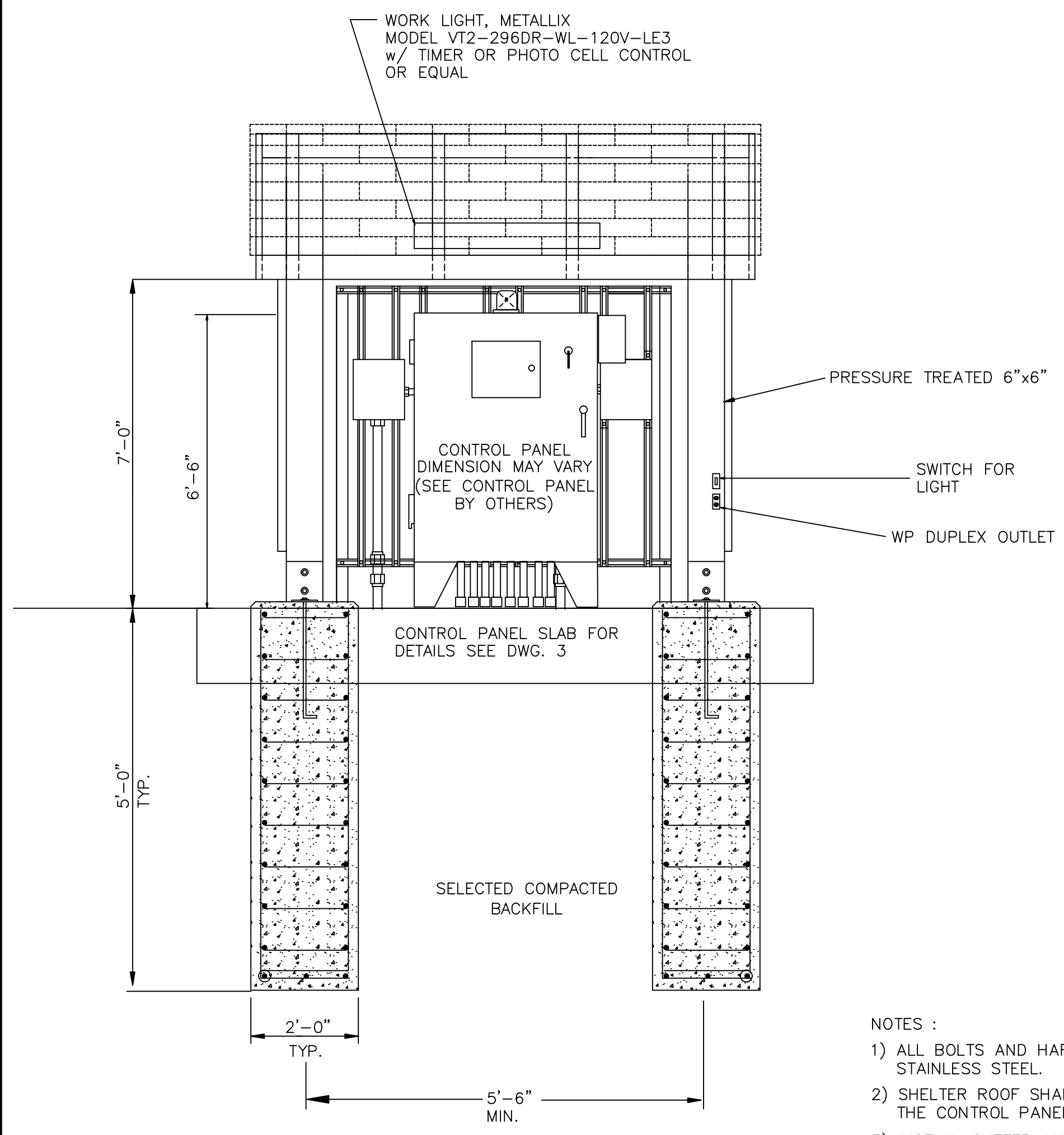


SECTION

N.T.S.

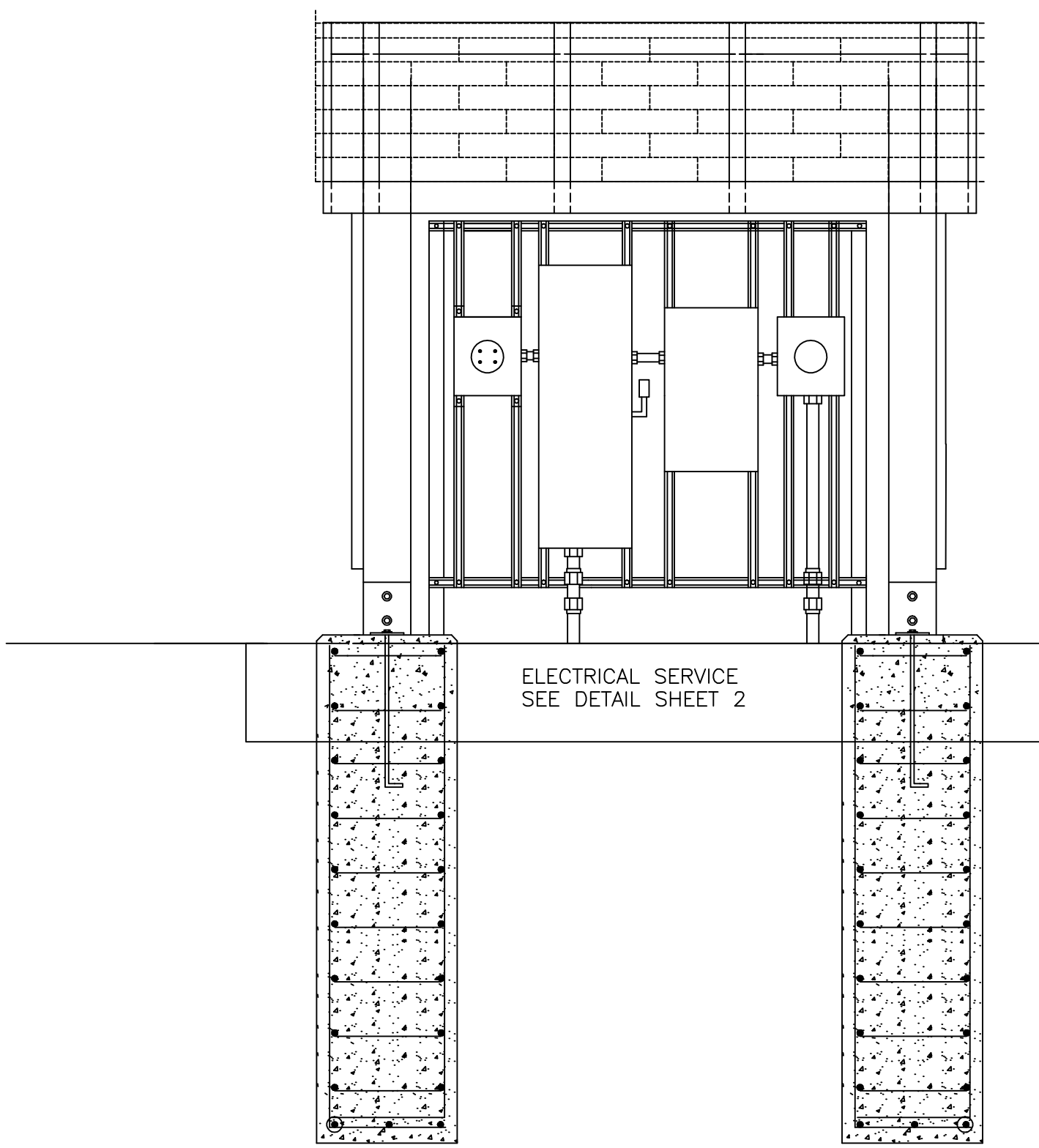
ELEVATION
CONTROL PANEL SHELTER

N.T.S.



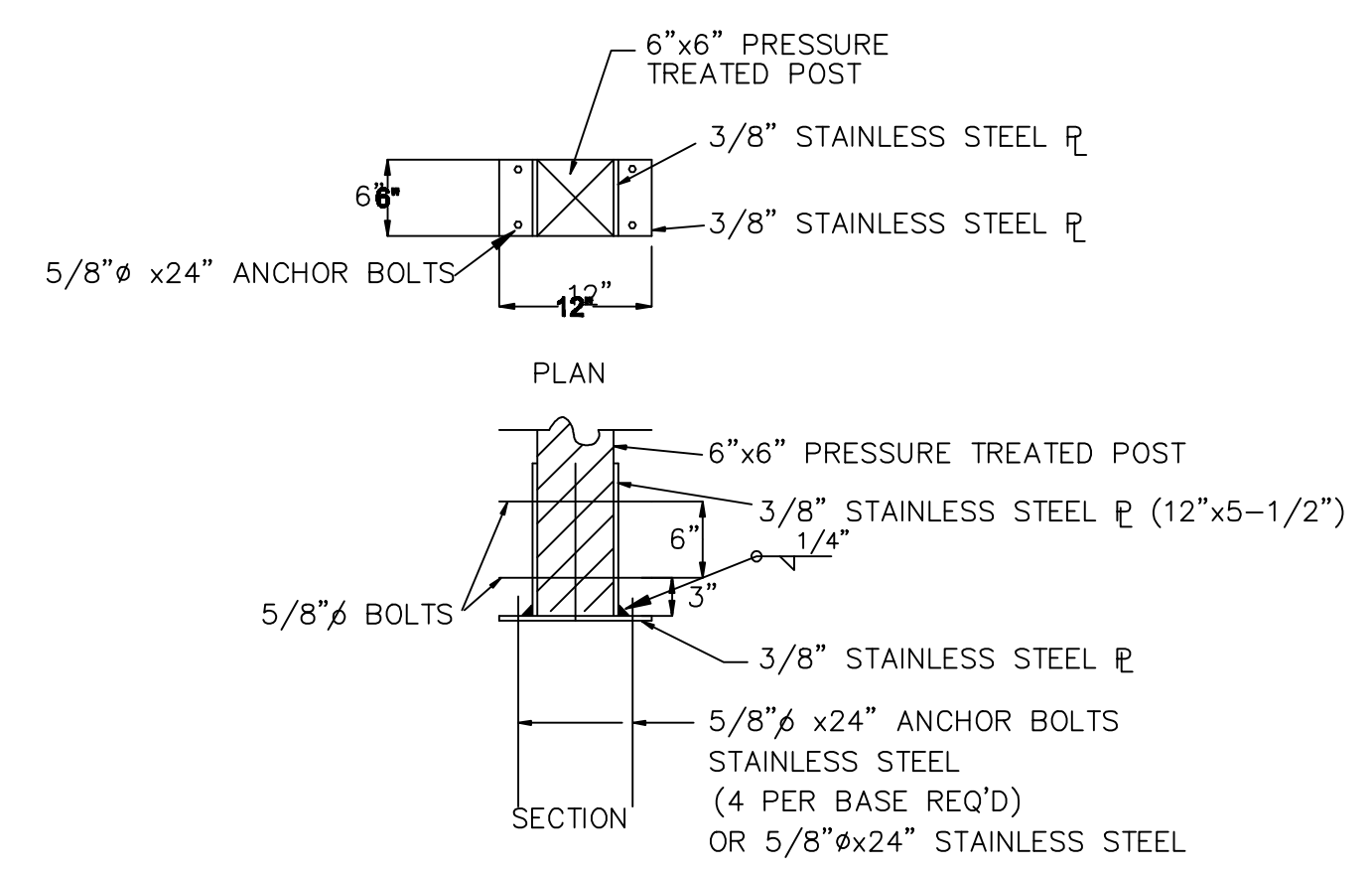
FRONT VIEW

N.T.S.



REAR VIEW

N.T.S.



POST SUPPORT DETAIL

NO SCALE

- NOTES :
- 1) ALL BOLTS AND HARDWARE SHALL BE STAINLESS STEEL.
 - 2) SHELTER ROOF SHALL EXTEND TO COVER THE CONTROL PANEL DOOR WHEN FULLY OPEN.
 - 3) INSTALL GUTTER AND DOWN SPOUT TO CONTROL SHELTER.
 - 4) VINYL SIDING COLOR TO BE SELECTED BY THE OWNER.

NO.	DATE	DESCRIPTION
REVISIONS		

Putnam PSD Putnam Public Service District
Scott Depot, West Virginia
WASTEWATER COLLECTION SYSTEM

PUMP STATION DETAIL DRAWINGS
APPROVED THROUGH DISTRICT
SEWER ORDINANCE I

DRAWN BY: DLM	CHECKED BY: TMP	DRAWING
SCALE: AS SHOWN	DATE: MAY, 2009	PS 1 of 3