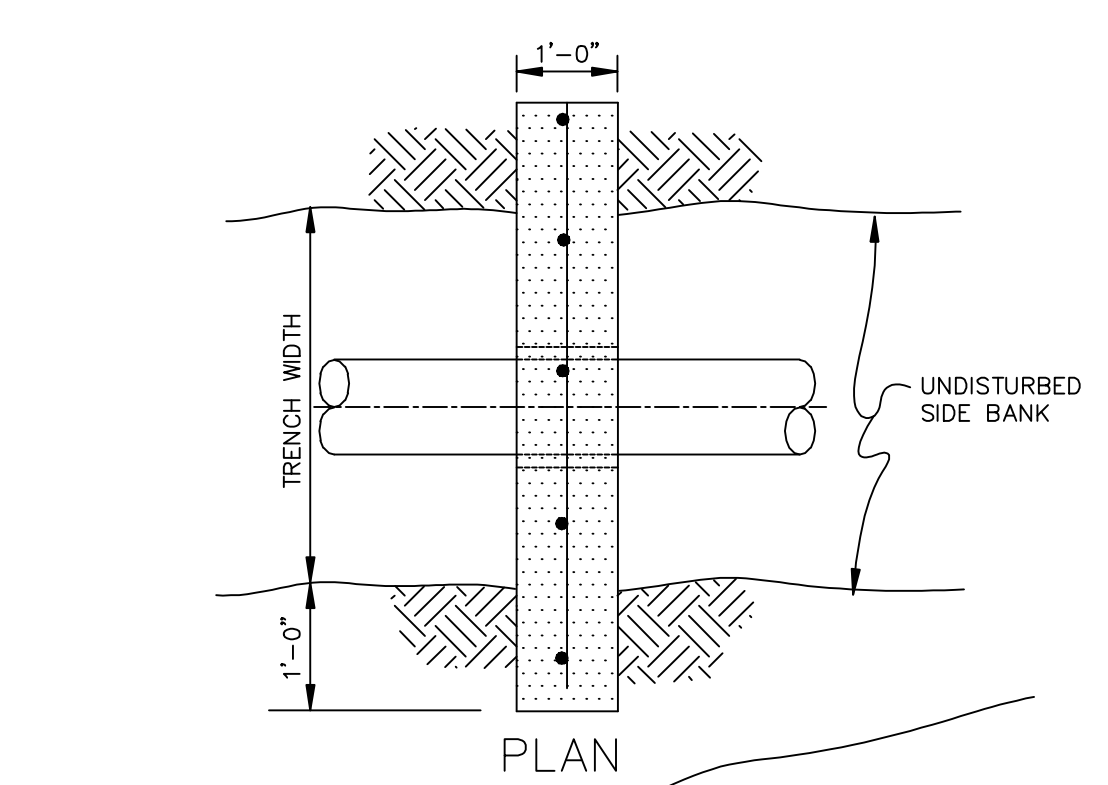


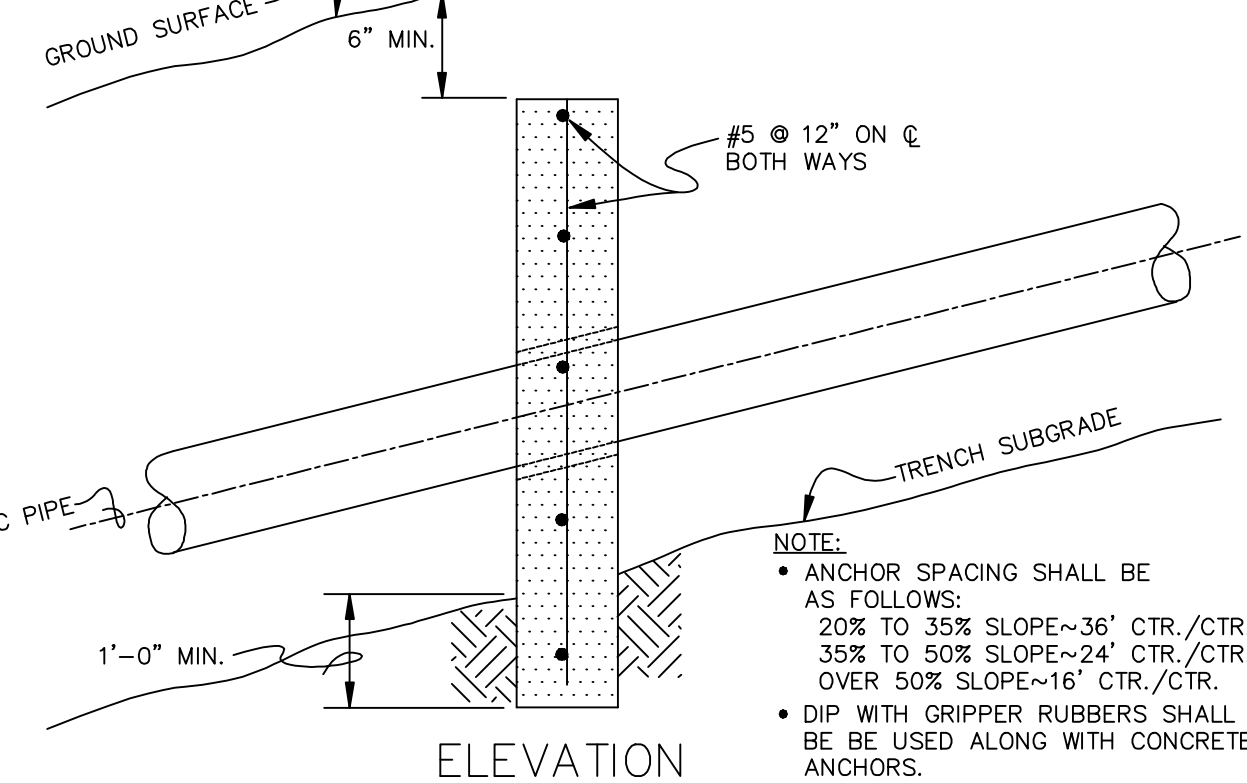
NOTE:
1.) LATERAL MUST BE INSPECTED AND MEASURED BY PUTNAM PSD INSPECTOR PRIOR TO BACKFILLING. PLEASE CALL 757-6551 TO SCHEDULE THE INSPECTION. 24 HOUR NOTICE IS REQUIRED, PPSD BUSINESS HOURS ARE 8:00am TO 4:30pm M-F.

GRADE:
1.) 4 INCH PIPE TO BE LAID ON GRADE NOT LESS THAN 7 INCHES PER 50 FOOT, AND.
2.) SIX INCH PIPE TP BE LAID ON GRADE NOT LESS THAN 5 INCHES PER 50 FOOT.

CUSTOMER SERVICE LINE DETAIL
N.T.S.

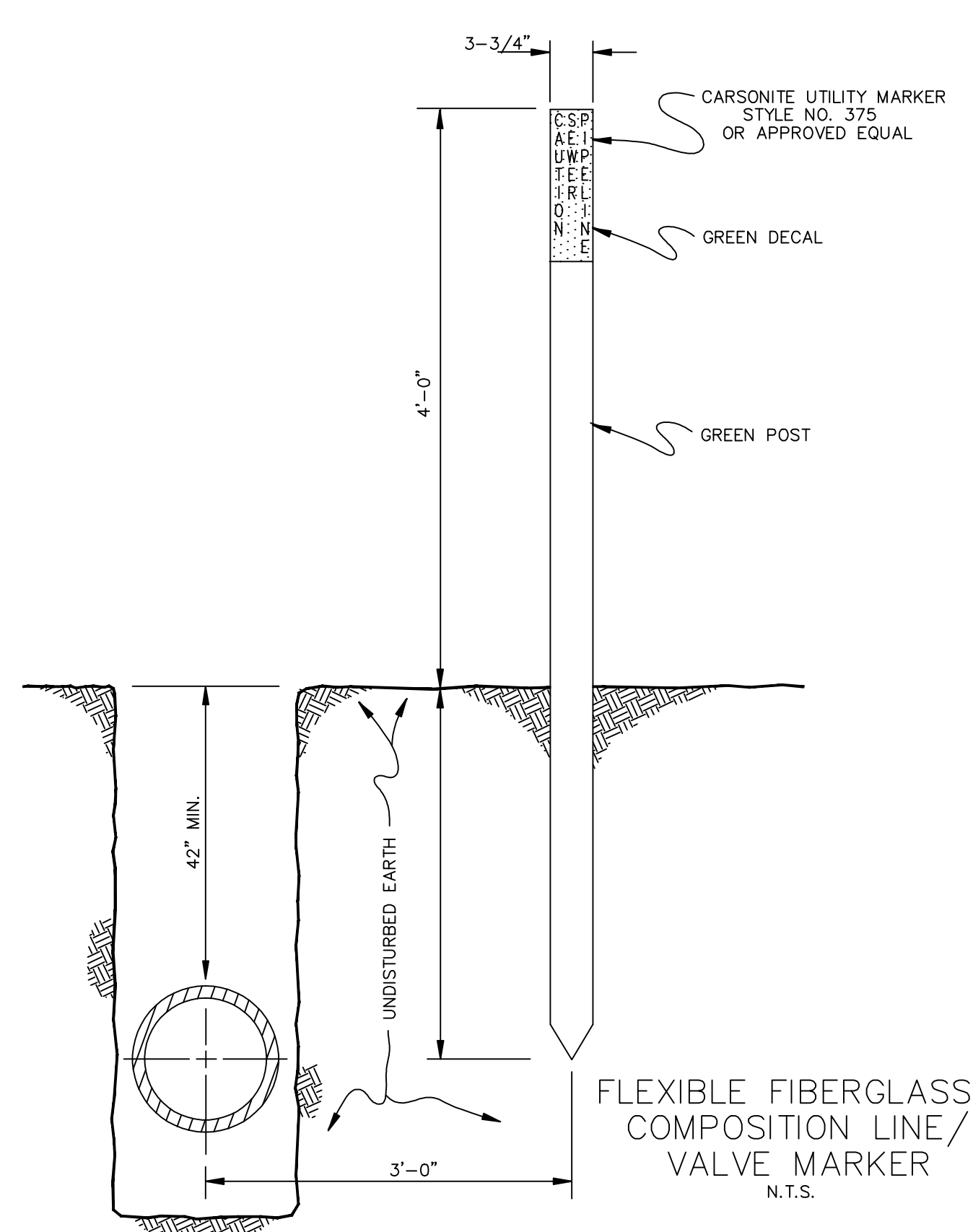


PLAN



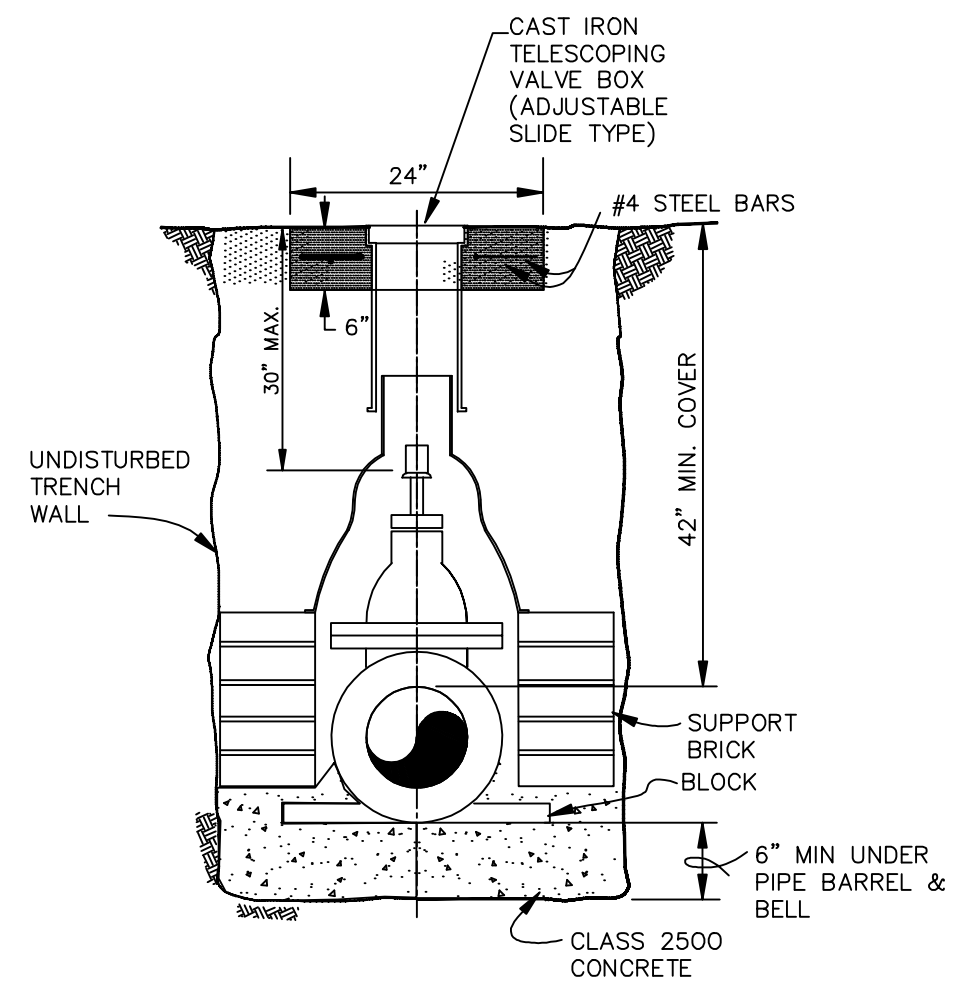
ELEVATION

CONCRETE PIPE ANCHOR
N.T.S.

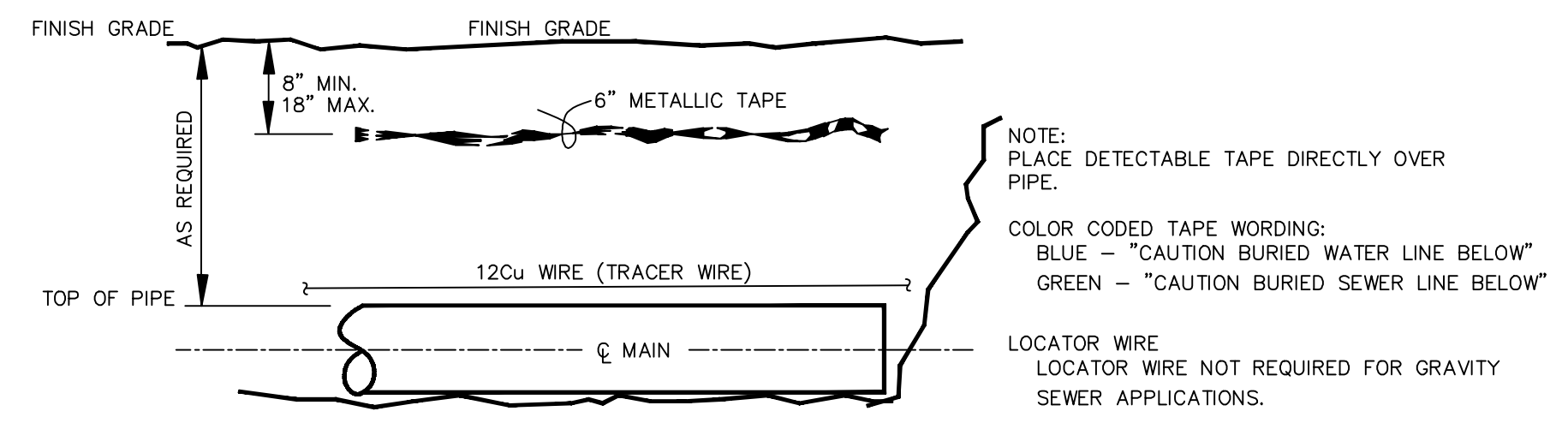


FLEXIBLE FIBERGLASS COMPOSITION LINE/ VALVE MARKER
N.T.S.

NOTE:
WRAP VALVE WITH POLYETHYLENE FILM (MIN. 6 MIL. THICKNESS) TO AVOID CONCRETE CONTACT WITH THE VALVE.

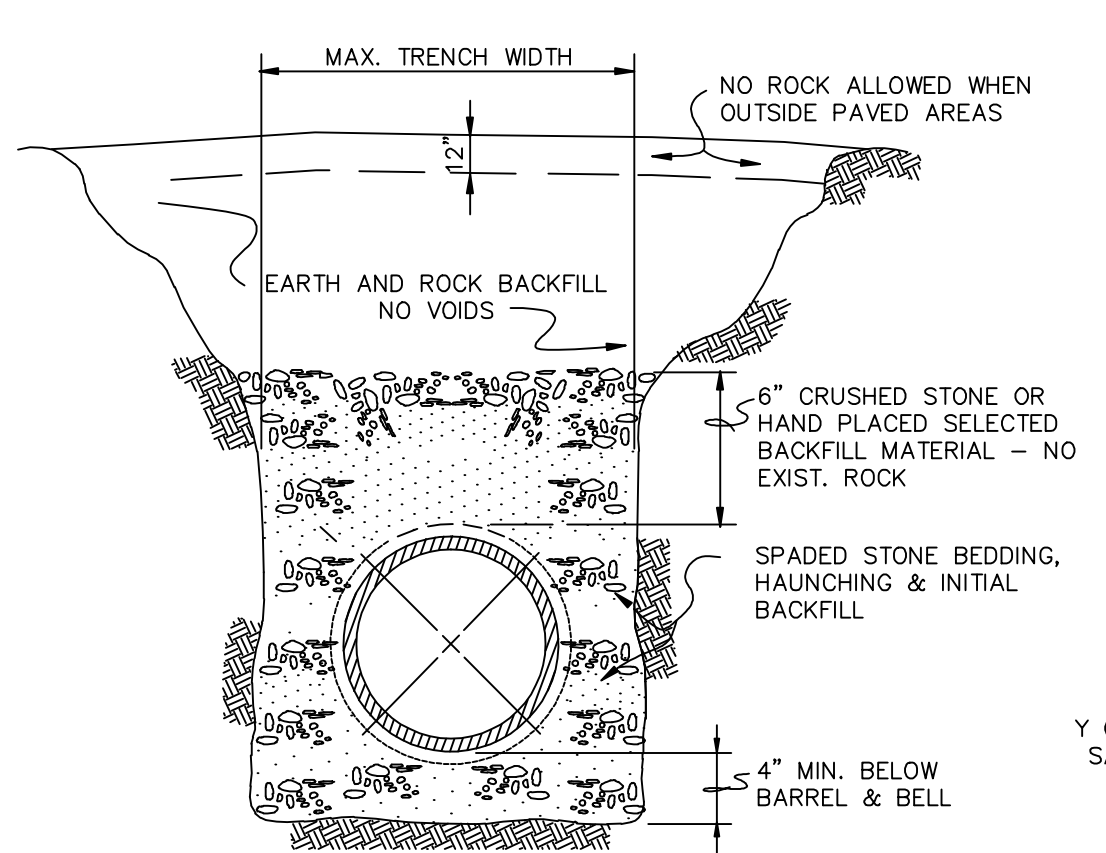


RESILIENT SEAT GATE VALVE INSTALLATION
N.T.S.

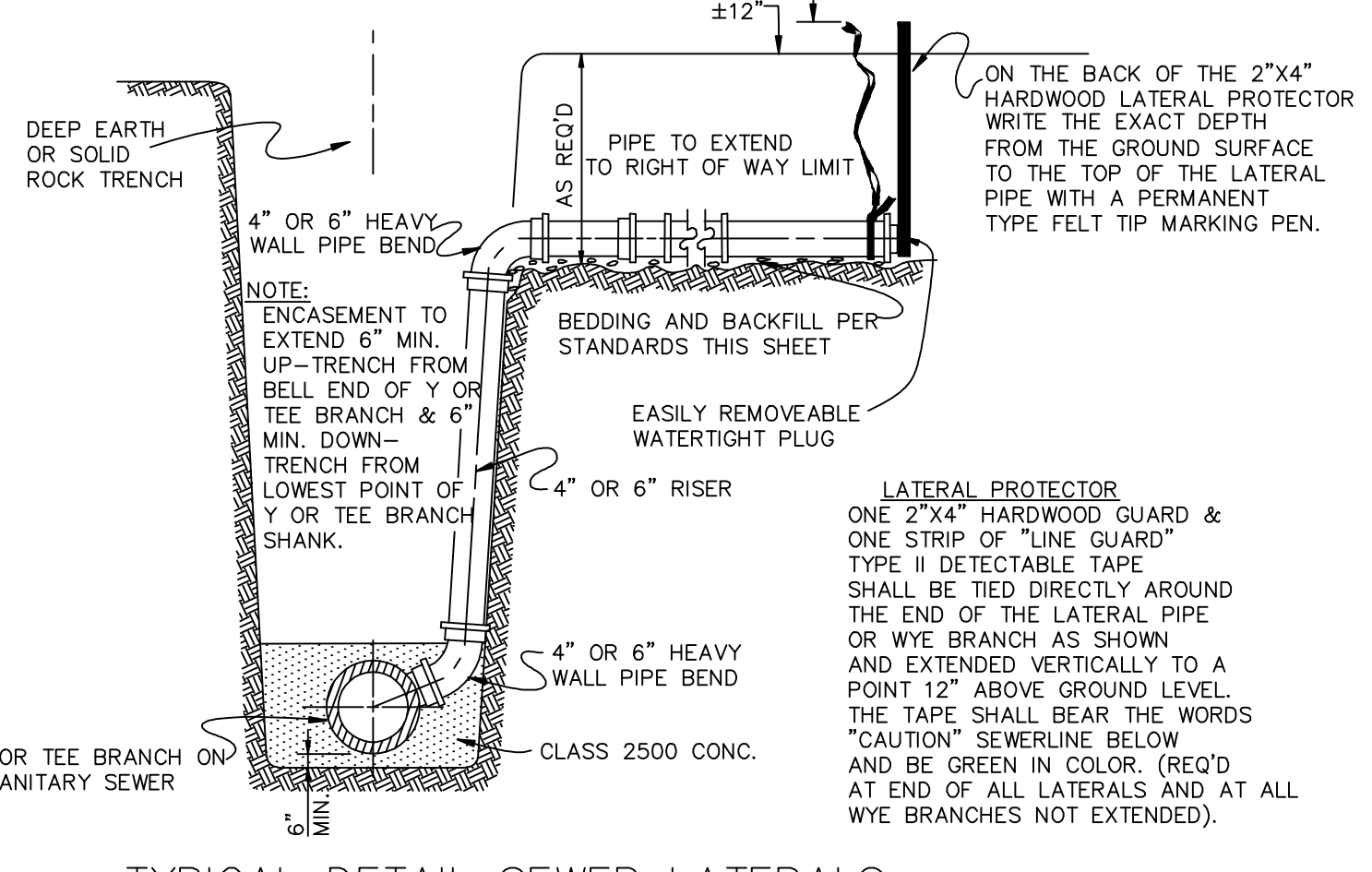


DETECTABLE WARNING TAPE & LOCATING WIRE INSTALLATION FOR ALL UNDERGROUND PIPELINES
N.T.S.

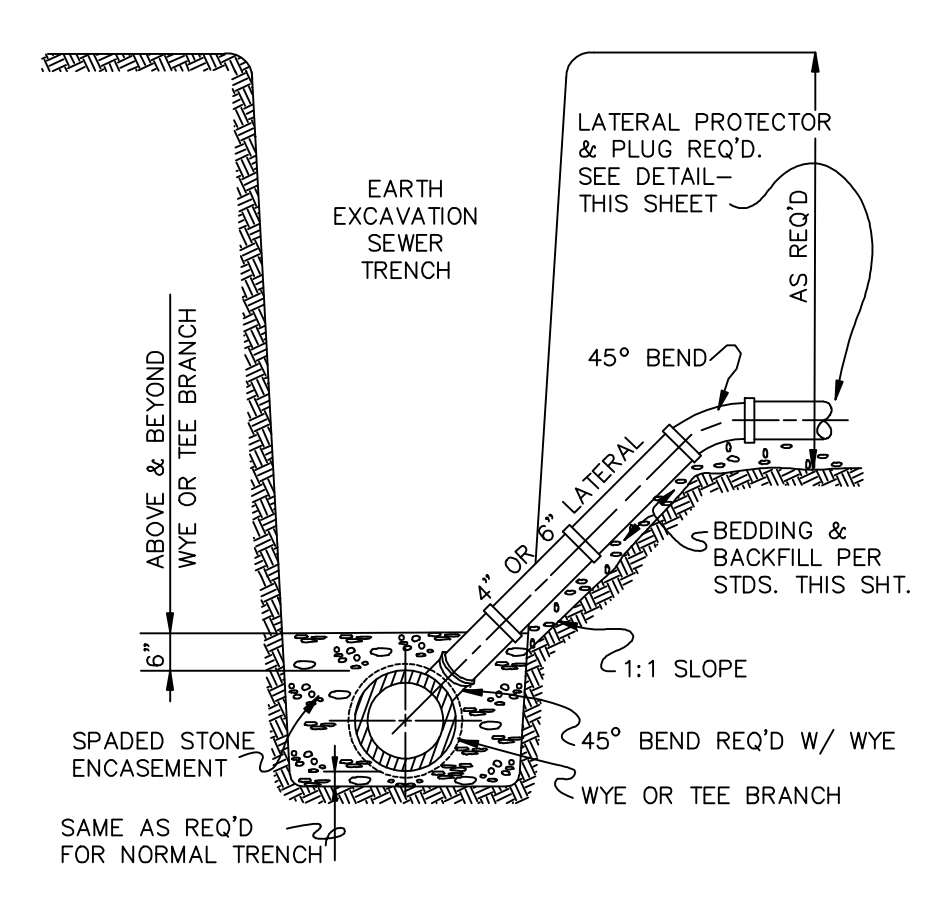
NOTE:
ALL FITTING SHALL BE HEAVY WALL SEWER FITTINGS, SDR 35 O.D. WITH SDR 26 WALL THICKNESS.



BEDDING ON EARTH OR IN SOLID ROCK
N.T.S.

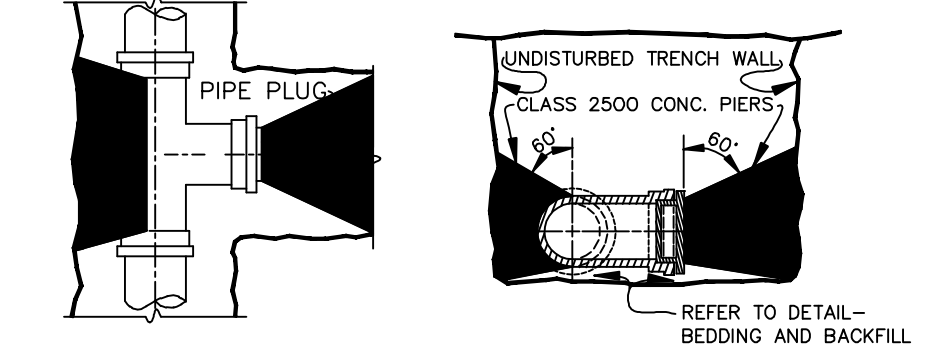


TYPICAL DETAIL SEWER LATERALS IN DEEP TRENCHES (NARROW R OF W &/OR SOLID ROCK)
N.T.S.

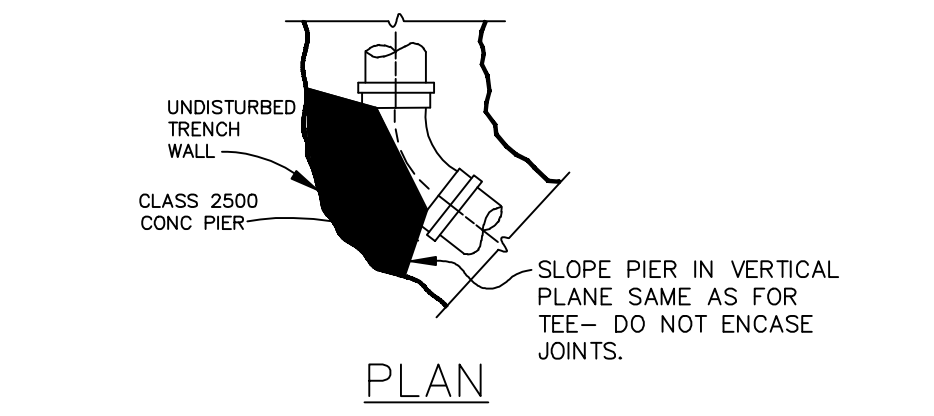


TYPICAL DETAIL SEWER LATERALS IN DEEP TRENCHES
N.T.S.

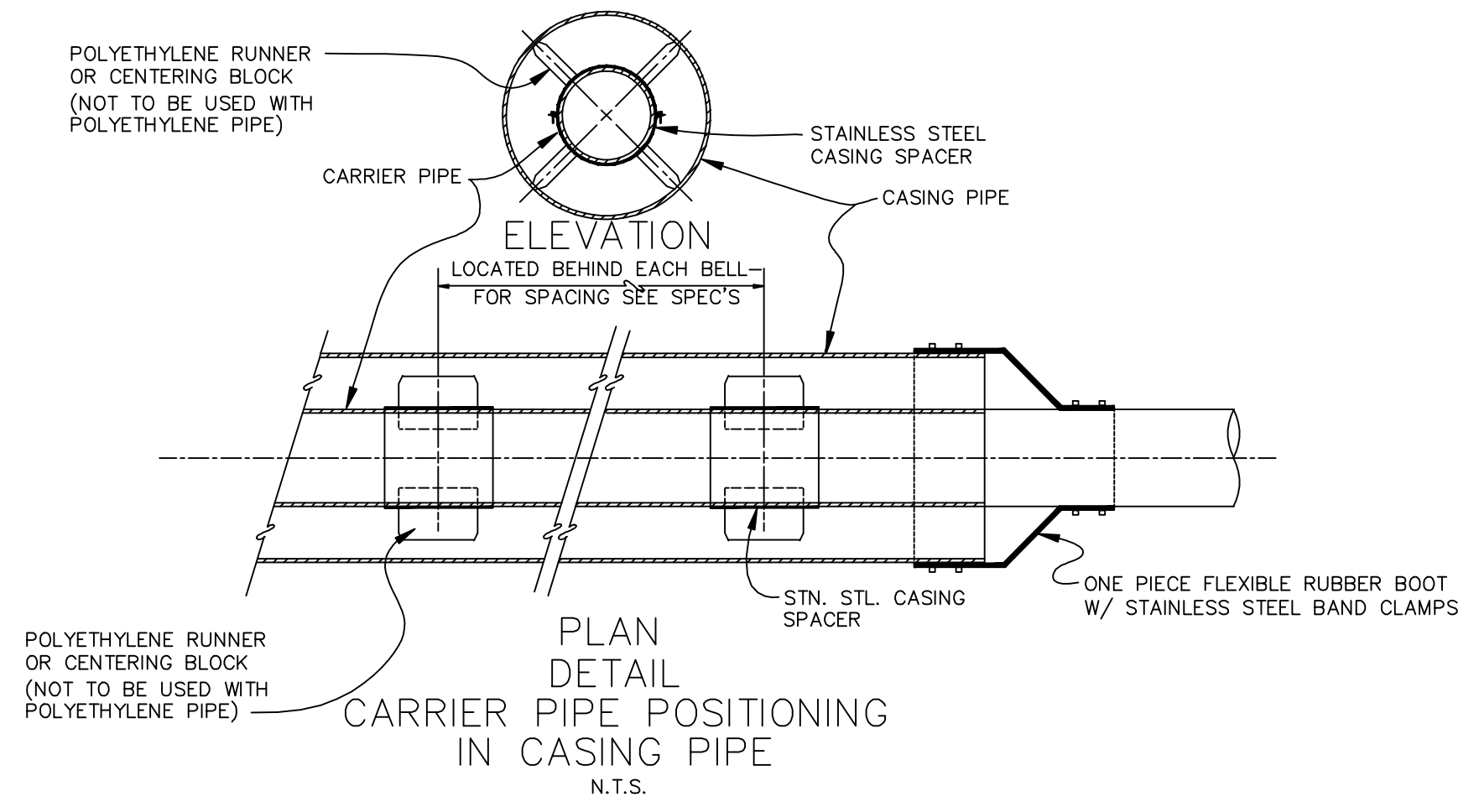
NOTE:
ALL PRESSURE FITTING SHALL BE DIMJ WITH MEG-A-LUGS. WRAP ALL FITTING WITH POLYETHYLENE FILM (MIN. 6 MIL. THICKNESS) FOR CORROSION PROTECTION.



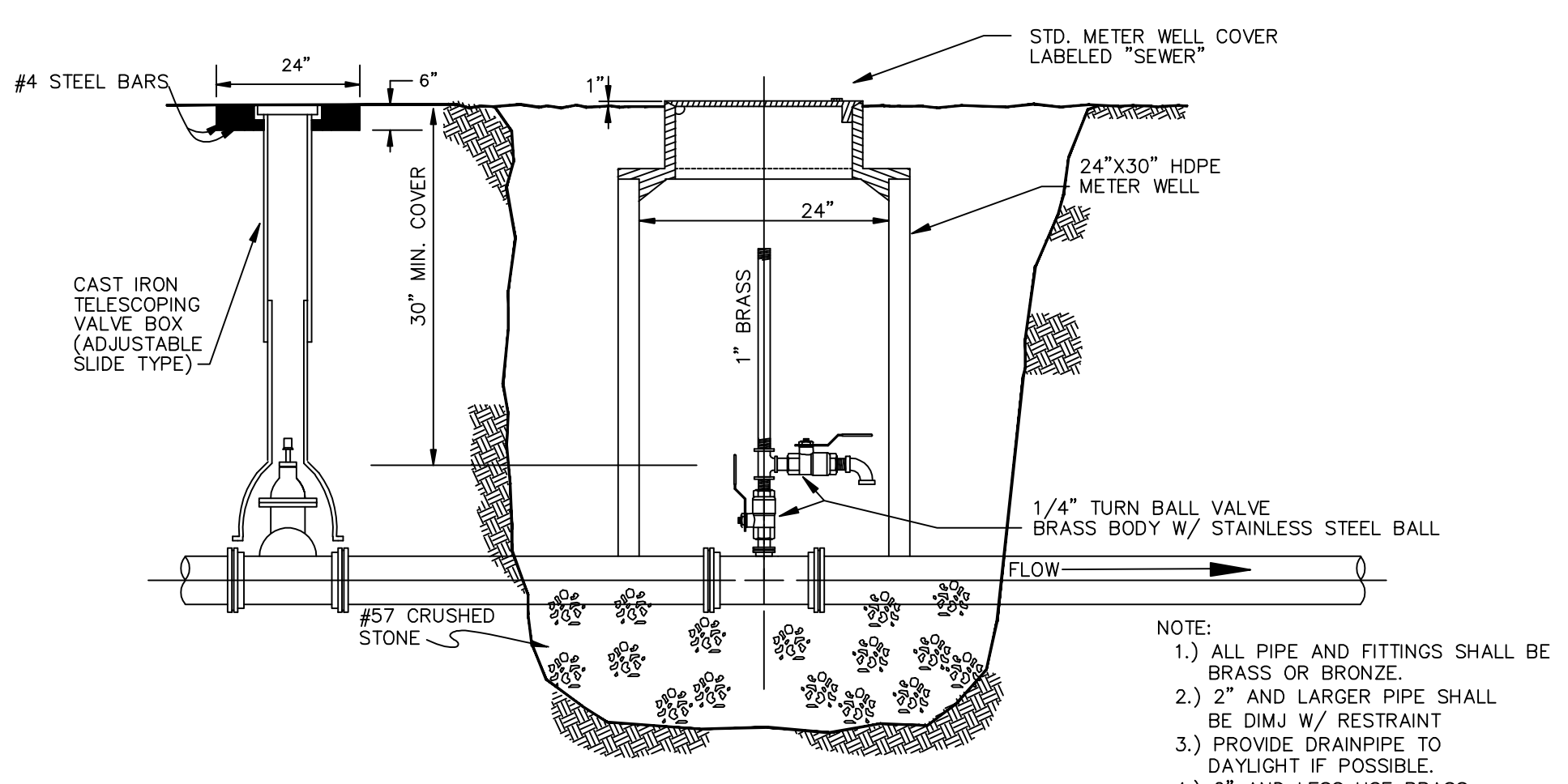
TYPICAL DETAIL OF CONCRETE BACKING AT TEES & PLUGS
N.T.S.



TYPICAL DETAIL OF CONCRETE BACKING AT BENDS VERTICAL & HORIZONTAL
N.T.S.

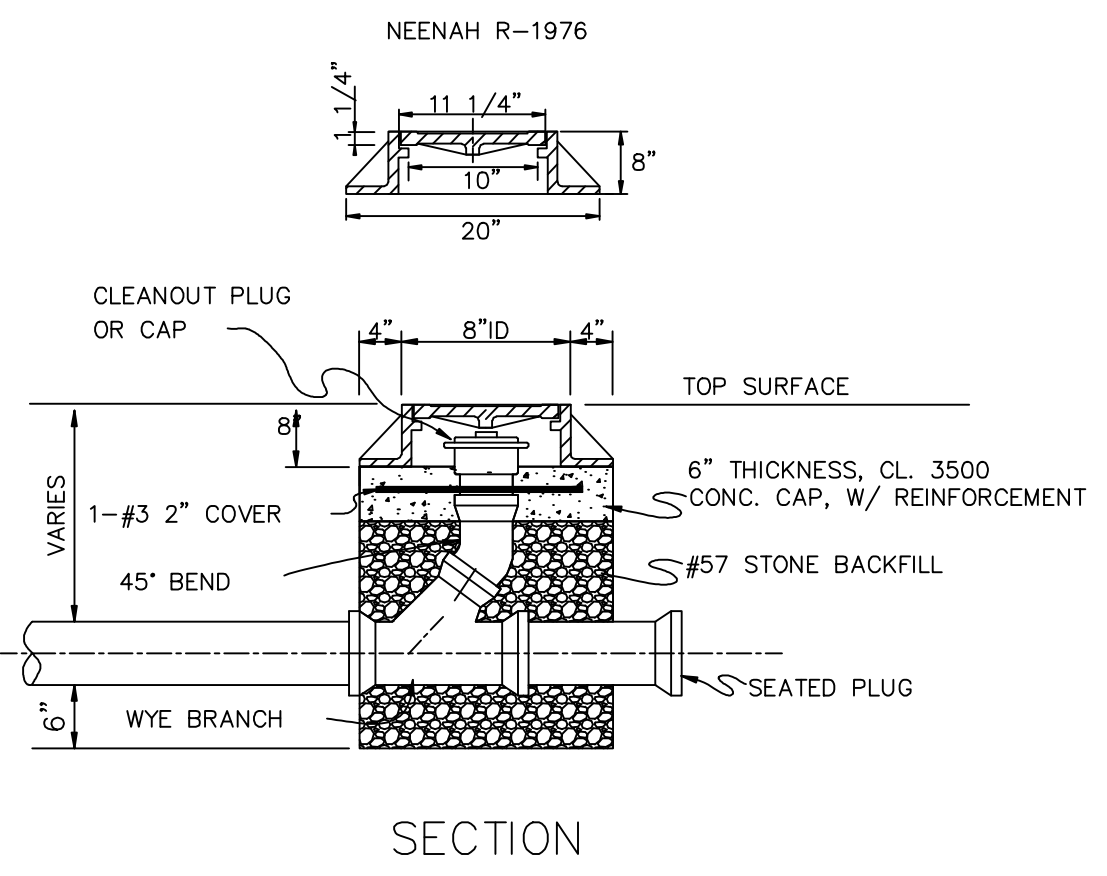


PLAN DETAIL CARRIER PIPE POSITIONING IN CASING PIPE
N.T.S.



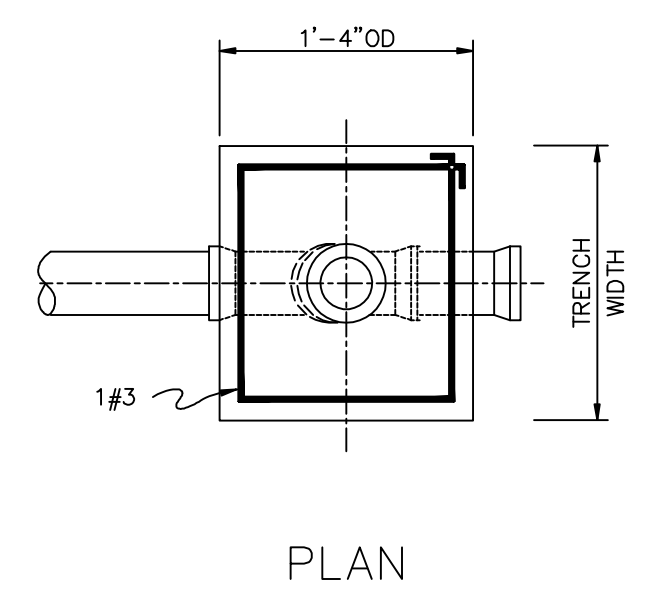
FORCE MAIN CLEANOUT
N.T.S.

NOTE:
1.) ALL PIPE AND FITTINGS SHALL BE BRASS OR BRONZE.
2.) 2\"/>

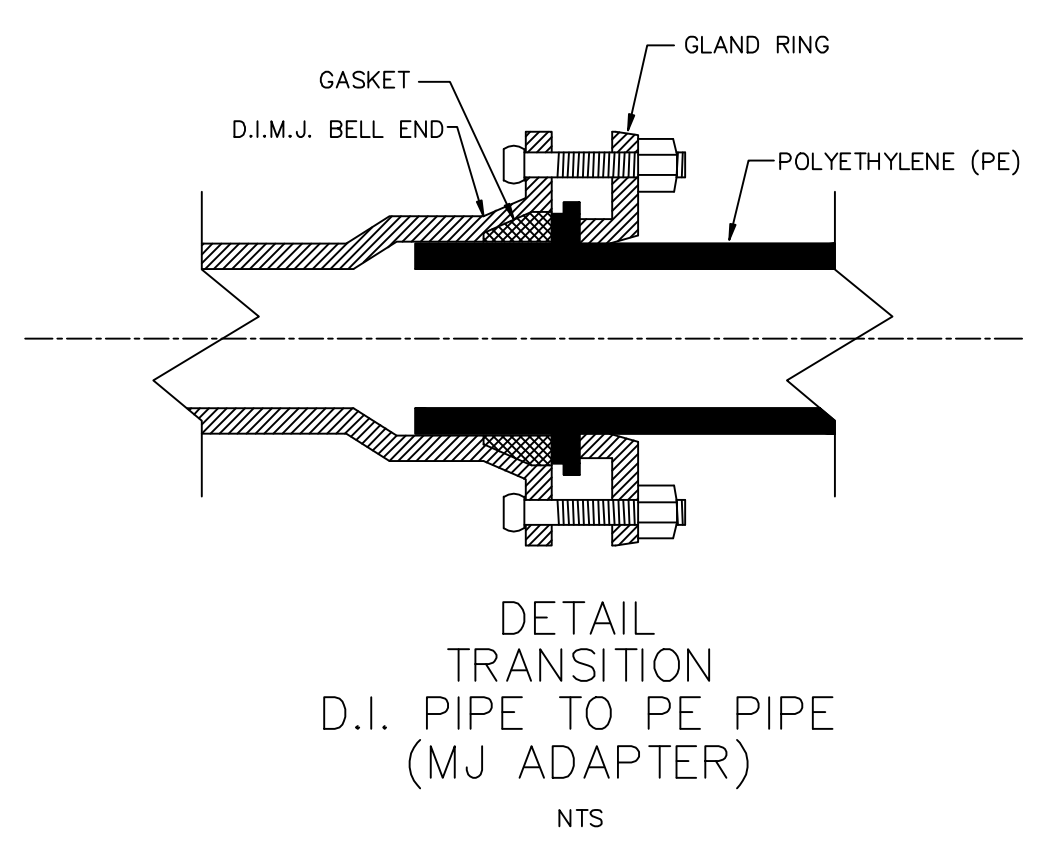


SECTION

CLEANOUT ASSEMBLY
N.T.S.



PLAN



DETAIL TRANSITION D.I. PIPE TO PE PIPE (MJ ADAPTER)
N.T.S.

NO.	DATE	DESCRIPTION
REVISIONS		
Putnam Public Service District WASTEWATER COLLECTION SYSTEM Scott Depot, West Virginia		
STANDARD DETAILS APPROVED THROUGH DISTRICT SEWER ORDINANCE I		
DRAWN BY: DLM		CHECKED BY: JEH
SCALE: N.T.S.		DATE: FEB., 2007
		DRAWING 1 of 2