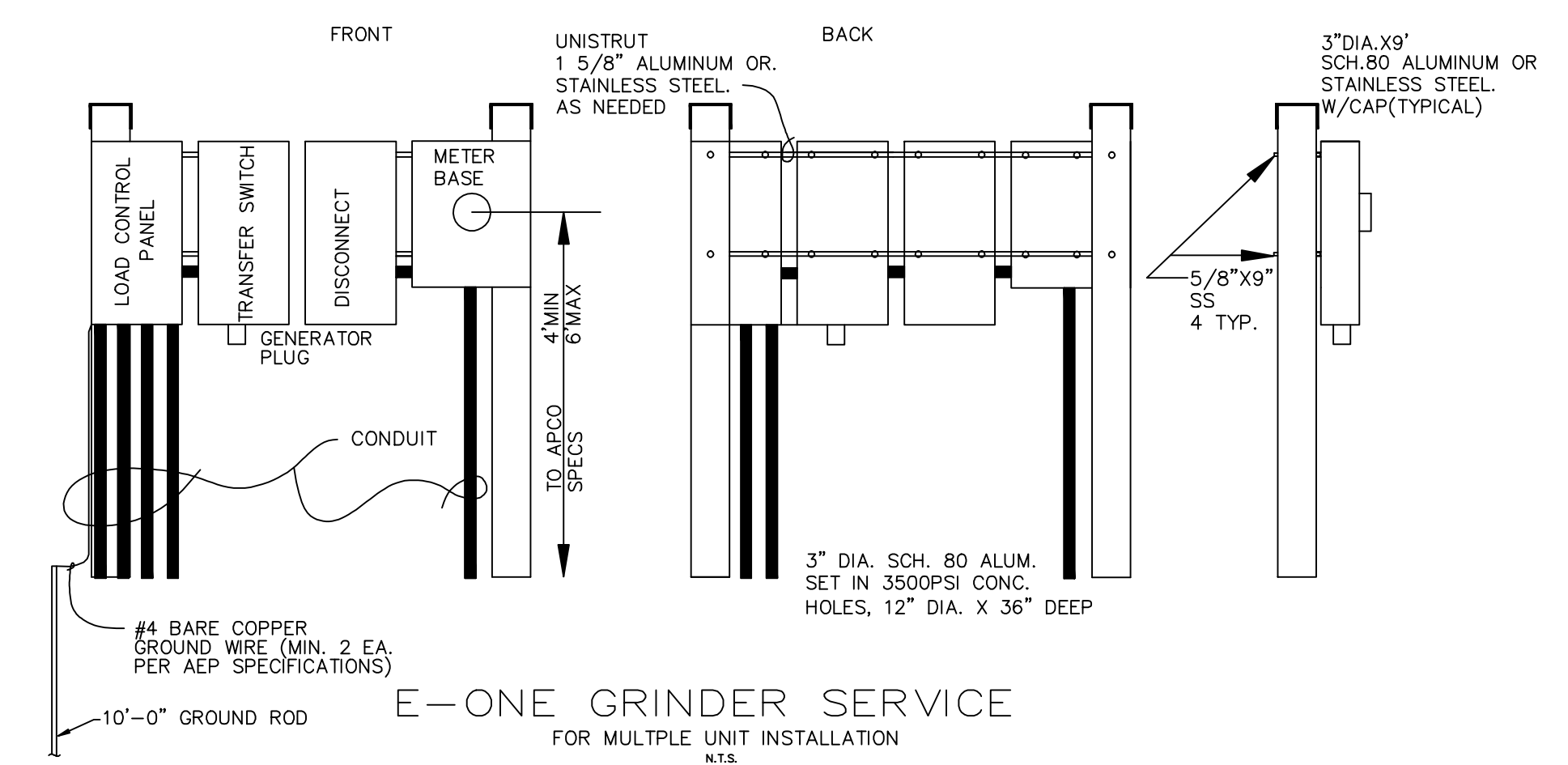


NOTE:
 1.) UNDERGROUND SERVICE SHALL BE ALLOWED WITH AEP APPROVAL.
 2.) SHOULD A CONFLICT EXIST BETWEEN THESE DETAILS AND AEP REQUIREMENTS, AEP SHALL GOVERN.

GRINDER PUMP PANEL SUPPORT POST DETAIL



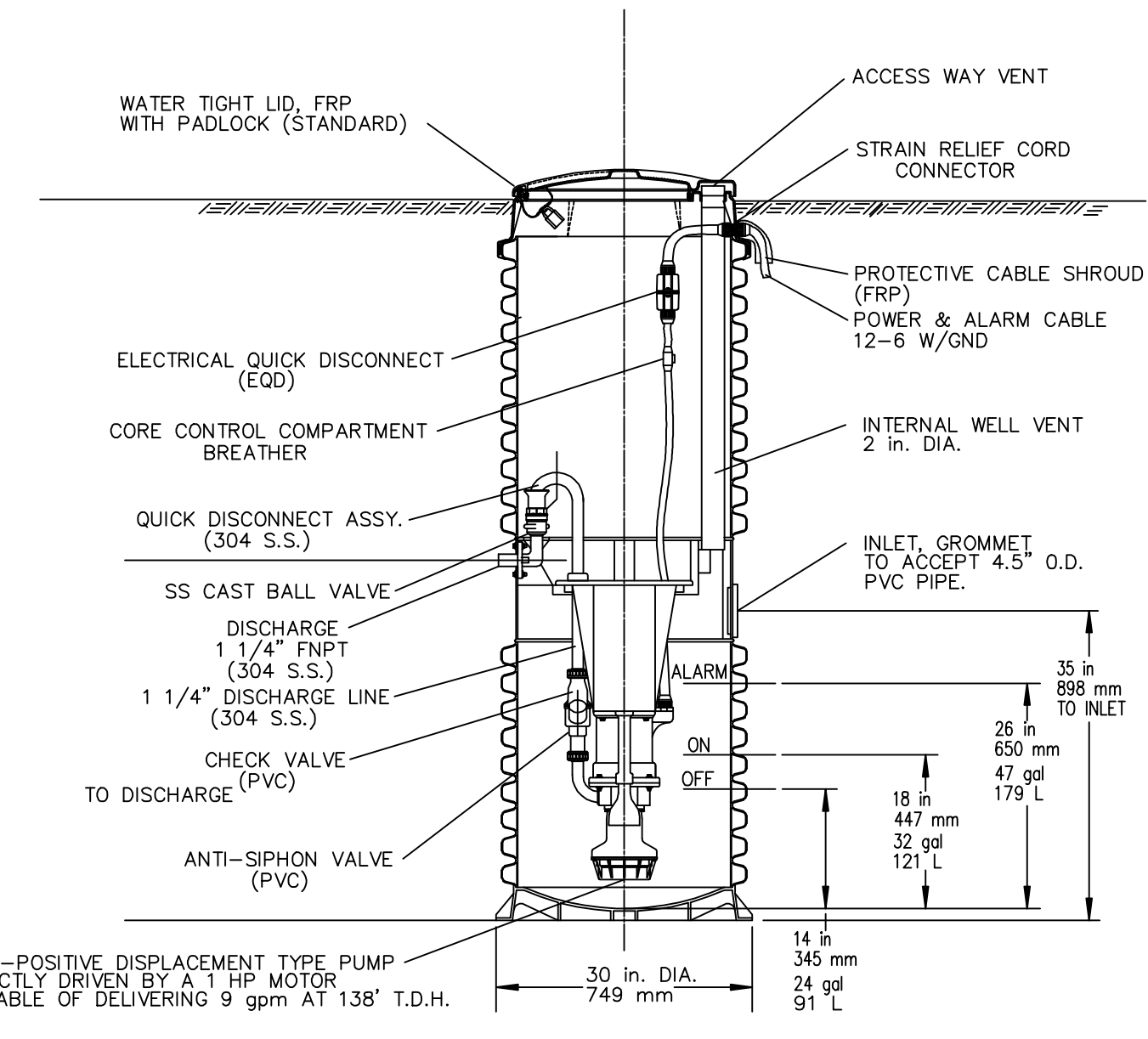
COPPER WIRE RUN LENGTHS	
WIRE SIZE	RUN LENGTH
6AWG	520 LF
8AWG	340 LF
10AWG	220 LF

NOTE:
 1. MIN. 2\"/>

GRINDER PUMP SERVICE POLE DETAIL

GRINDER PUMP PANEL SUPPORT POST DETAIL

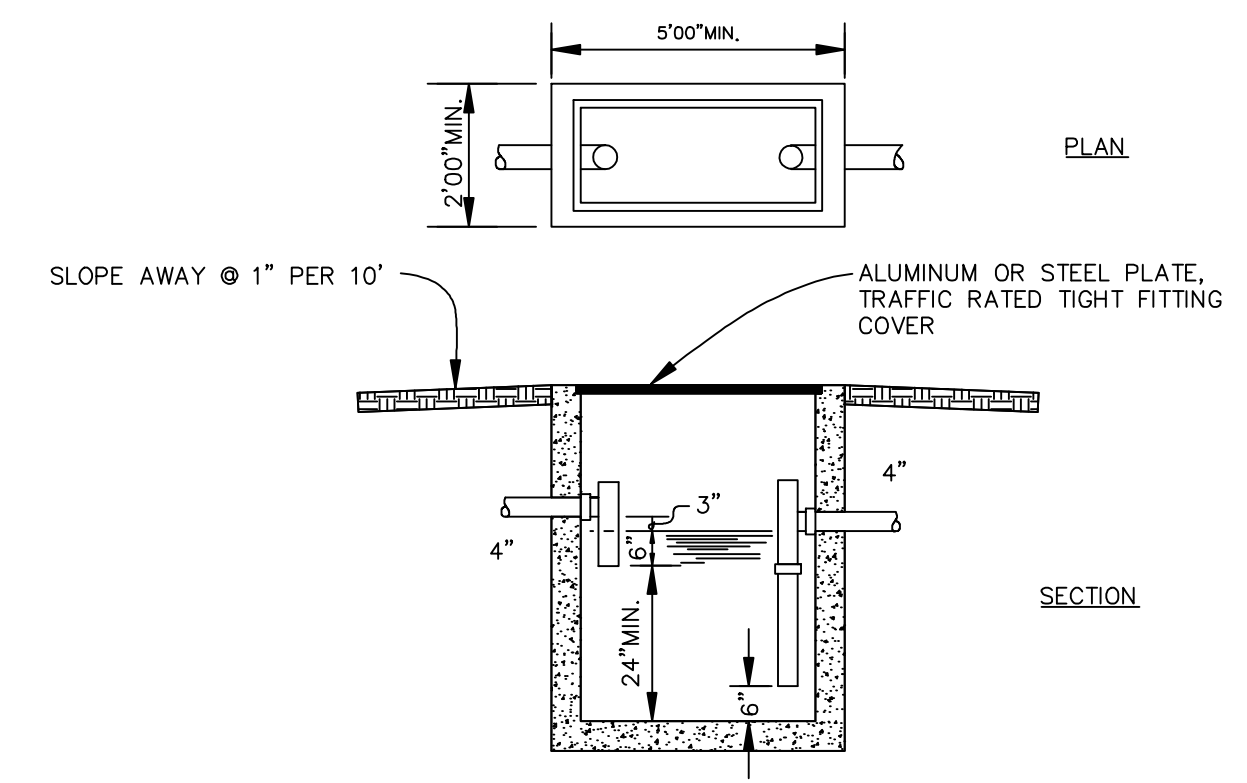
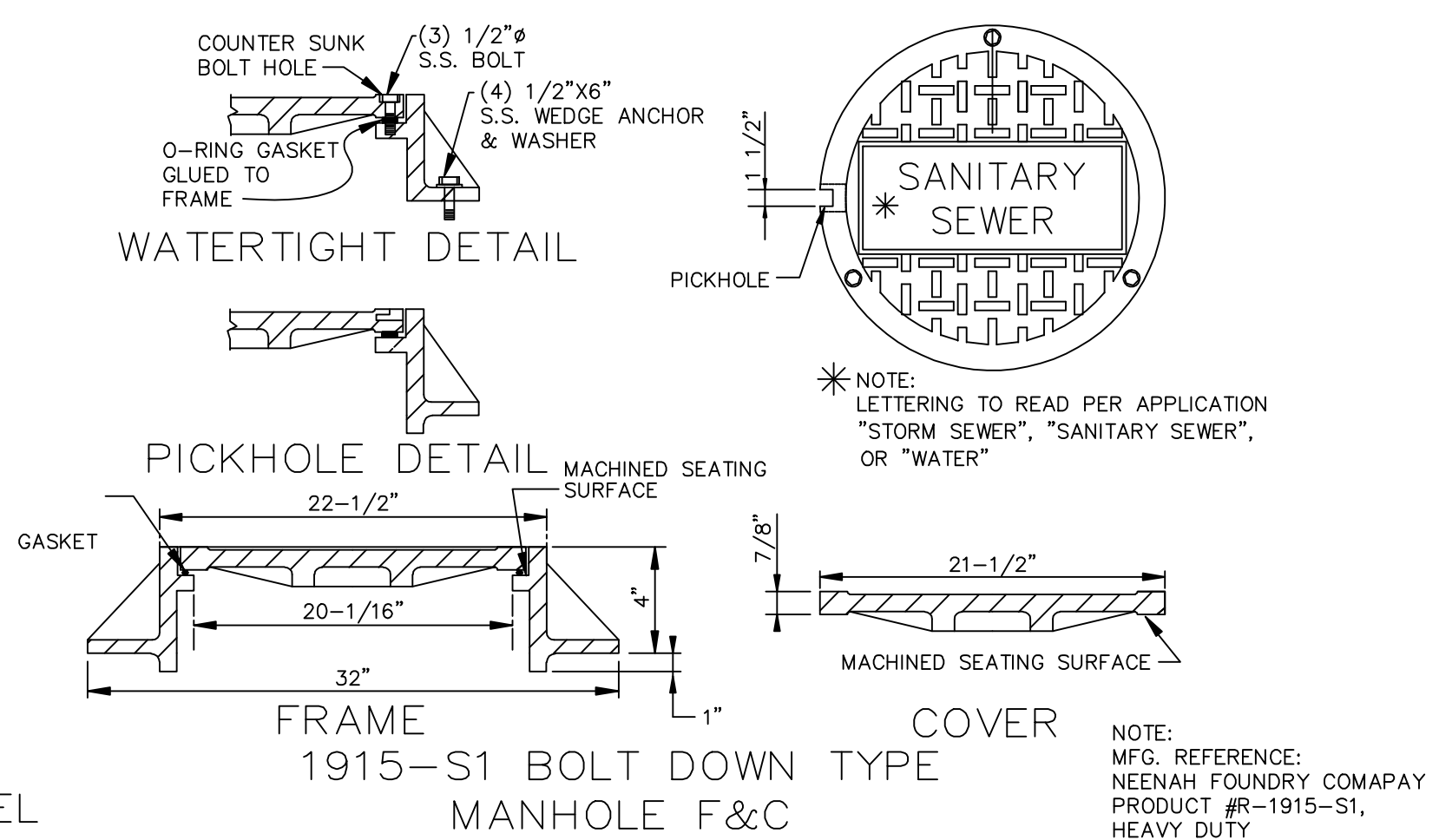
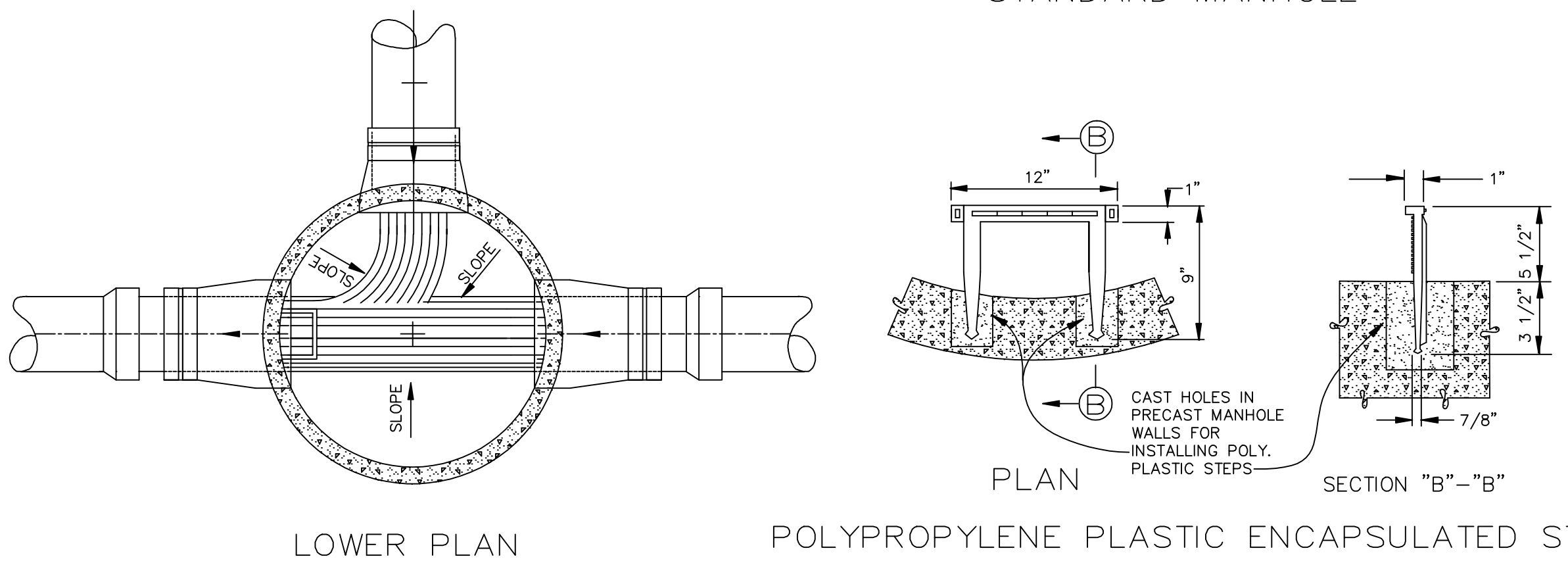
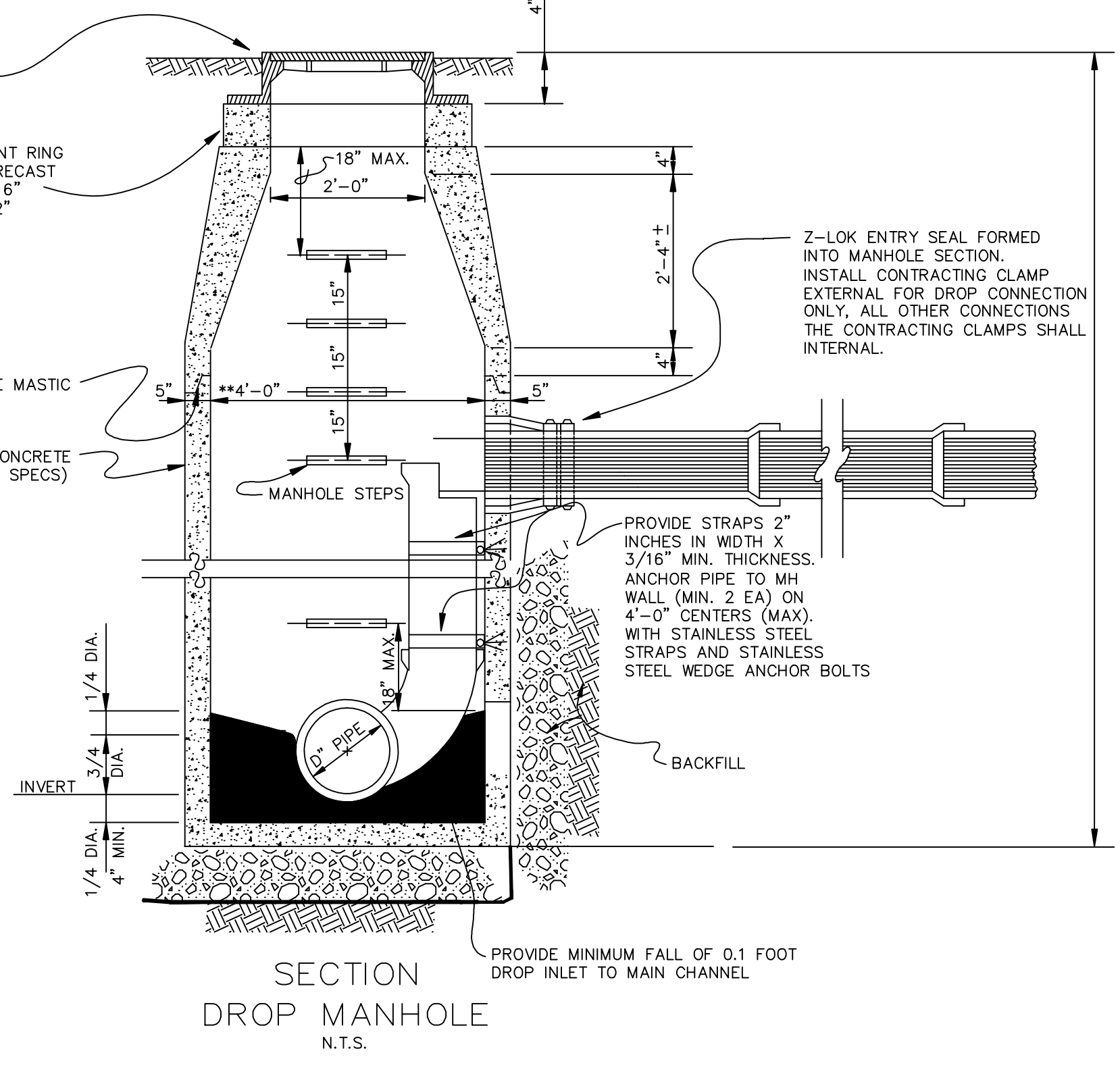
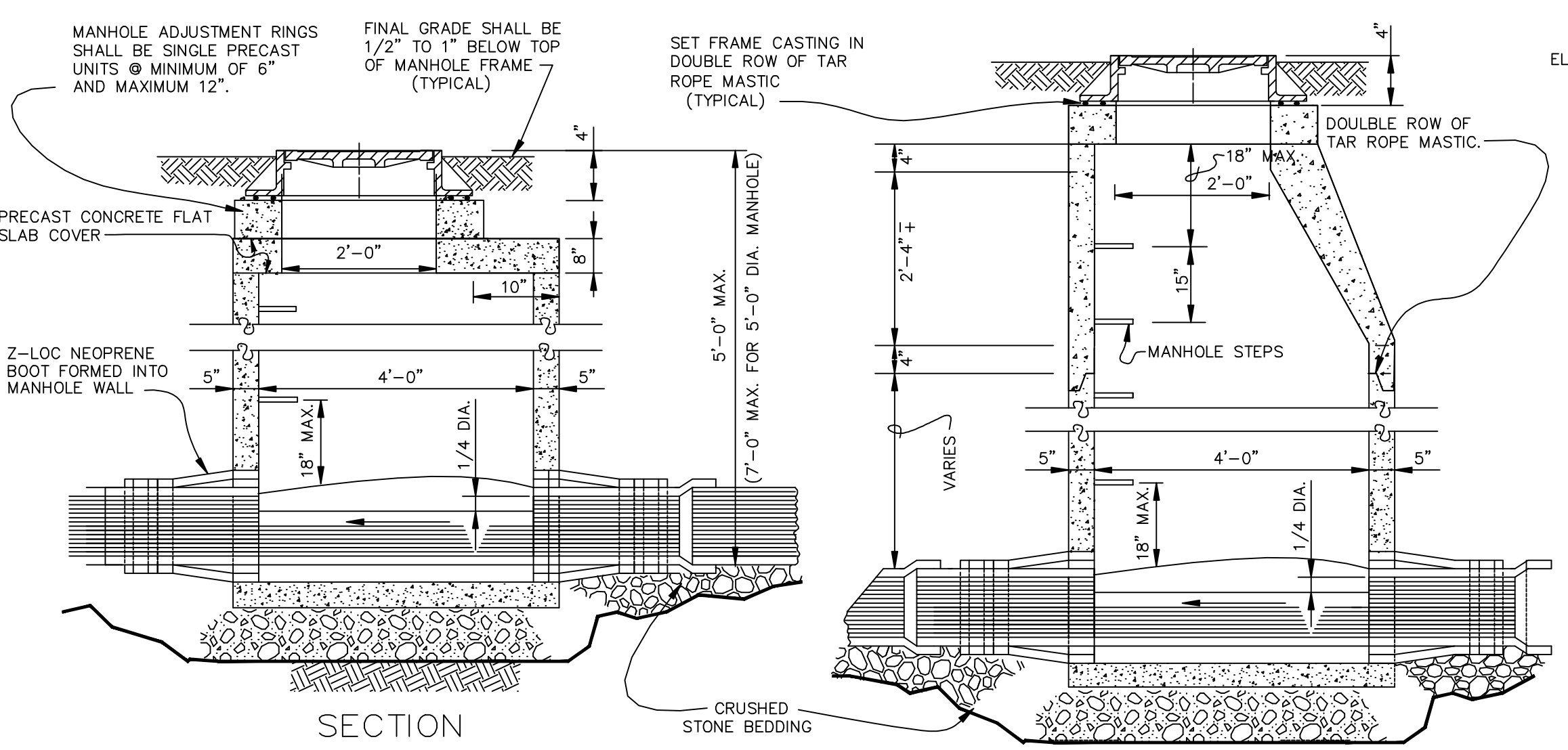
E-ONE GRINDER SERVICE FOR MULTIPLE UNIT INSTALLATION



GRINDER PUMP STATION MODEL 2010 LOCATIONS OF 2,500 SQUARE FEET OR MORE SHALL REQUIRE MODEL 2012 NOT SHOWN

GENERAL NOTES FOR PRECAST MANHOLES

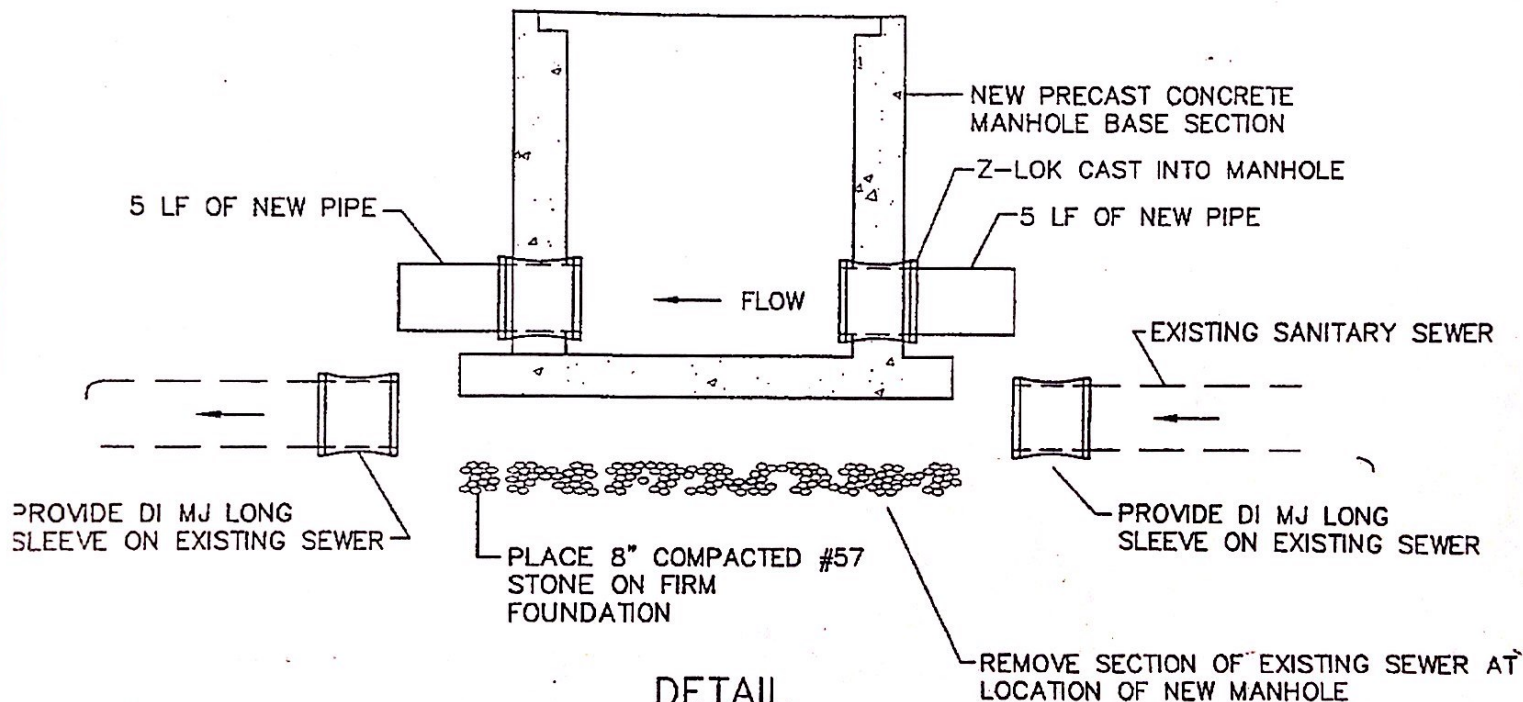
- STANDARD PRECAST CORBELS SHALL BE USED ON 4'-0" I.D.
- XYPEX ADDITIVE SHALL BE USED @ 2.5 TO 2.8% AND THE CONCRETE DYED PINK TO CLEARLY IDENTIFY ITS USE.
- FLOW CHANNELS SHALL BE FORMED IN SUCH A MANNER AS TO NOT ALLOW SEWAGE TO SPASH. FLOW CHANNEL SHALL BE EVEN WITH THE FLOW LINES OF INVERTS.
- 5'-0" INSIDE DIAMETER USED ON 30" AND LARGER SEWER LINES.
- 5'-0" INSIDE DIAMETER USED ON 15" AND LARGER SEWER LINES WHEN LINE TURNS 45° OR MORE.
- ECCENTRIC CORBEL SECTION SHALL BE USED (LOCATE VERTICAL WALL DOWNSTREAM; WHERE A FLAT TOP IS USED, OFFSET ACCESS OPENING OVER DOWNSTREAM SIDE).



- 150 GAL. TANK MINIMUM (TYPICAL)
 FOR LARGER SIZES A STANDARD CONCRETE SEPTIC TANK MAY BE ADAPTED
- NOTE:
 1. THERE SHALL BE GREASE TRAPS FOR ALL RESTAURANTS AND SIMILAR ESTABLISHMENTS WHERE A LARGE QUANTITY OF GREASE AND FATS IN LIQUID WILL OCCUR.
 2. THE LOCATION OF THE EXTERNAL GREASE TRAP SHALL BE WITHIN THIRTY (30) FEET FROM THE FIXTURES SERVED. IF MEETING THIS DISTANCE IS NOT POSSIBLE AND THUS, EXTERNAL GREASE TRAPS ARE NOT POSSIBLE DUE TO EXISTING CONDITIONS OR PHYSICAL LIMITATION, THE WEST VIRGINIA DEPARTMENT OF HEALTH AND HUMAN RESOURCES MAY ALLOW INTERNAL GREASE TRAPS.
 3. ONLY THOSE PLUMBING FIXTURES INTO WHICH THE GREASE AND FATS ARE DISCHARGING SHALL CONNECT TO THE GREASE TRAP.
 4. THE EXTERNAL GREASE TRAP SHALL BE A MINIMUM ONE HUNDRED FIFTY (150) GALLONS CAPACITY. LARGER GREASE TRAPS MAY BE A REQUIREMENT DEPENDING UPON LOADING.
 5. THE EXTERNAL GREASE TRAP SHALL BE IN AN EASILY ACCESSIBLE PLACE OUTSIDE THE BUILDING SERVED.

GREASE TRAP DETAILS (NTS)

NO.	DATE	DESCRIPTION
REVISIONS		
Putnam Public Service District Scott Depot, West Virginia WASTEWATER COLLECTION SYSTEM		
STANDARD DETAILS APPROVED THROUGH DISTRICT SEWER ORDINANCE I		
DRAWN BY: DLM		CHECKED BY: JEH
SCALE: NTS		DATE: FEB., 2007
		DRAWING 2 of 2



DETAIL
NEW CUT-IN MANHOLE
OVER EXISTING SEWER
 NOT TO SCALE