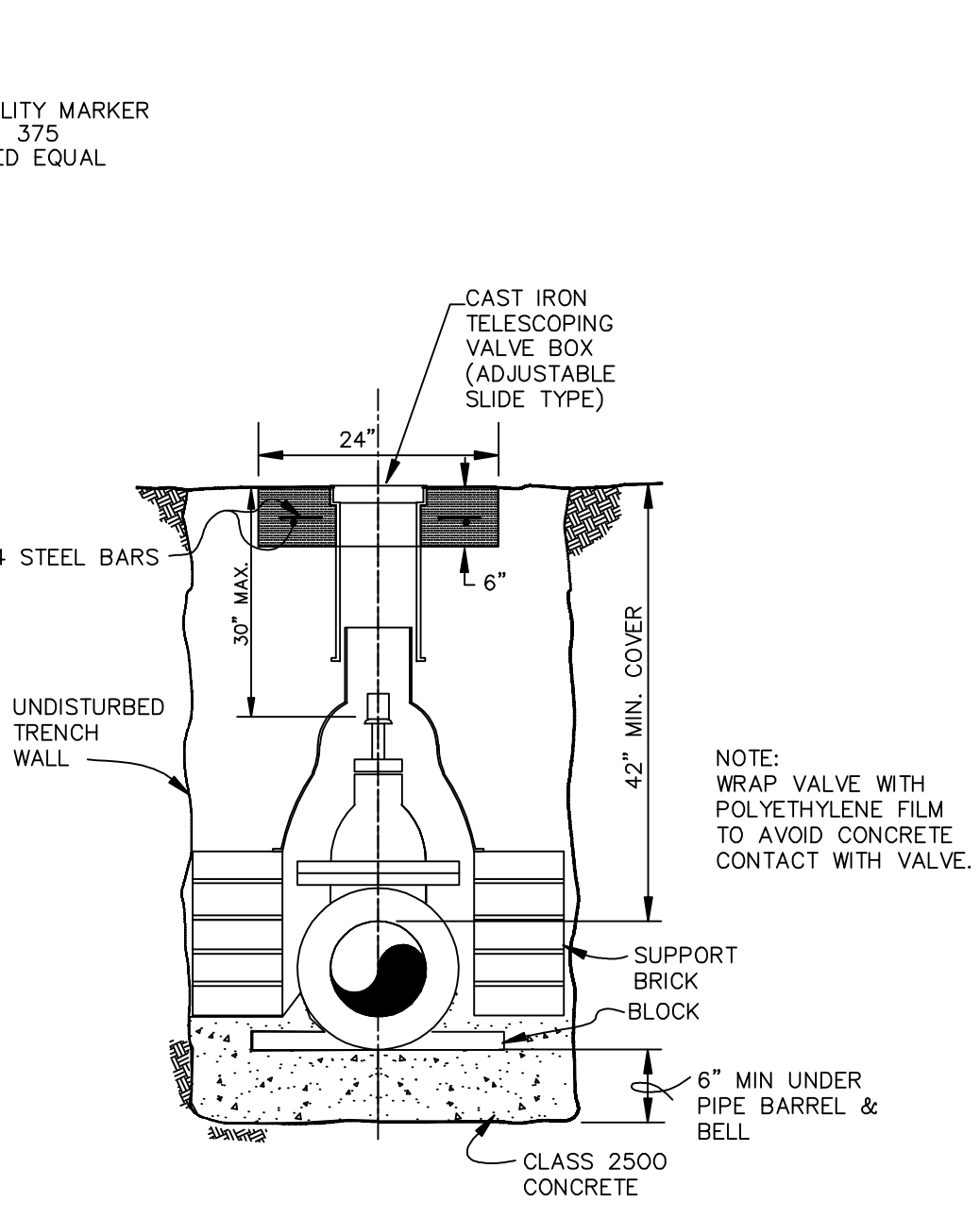
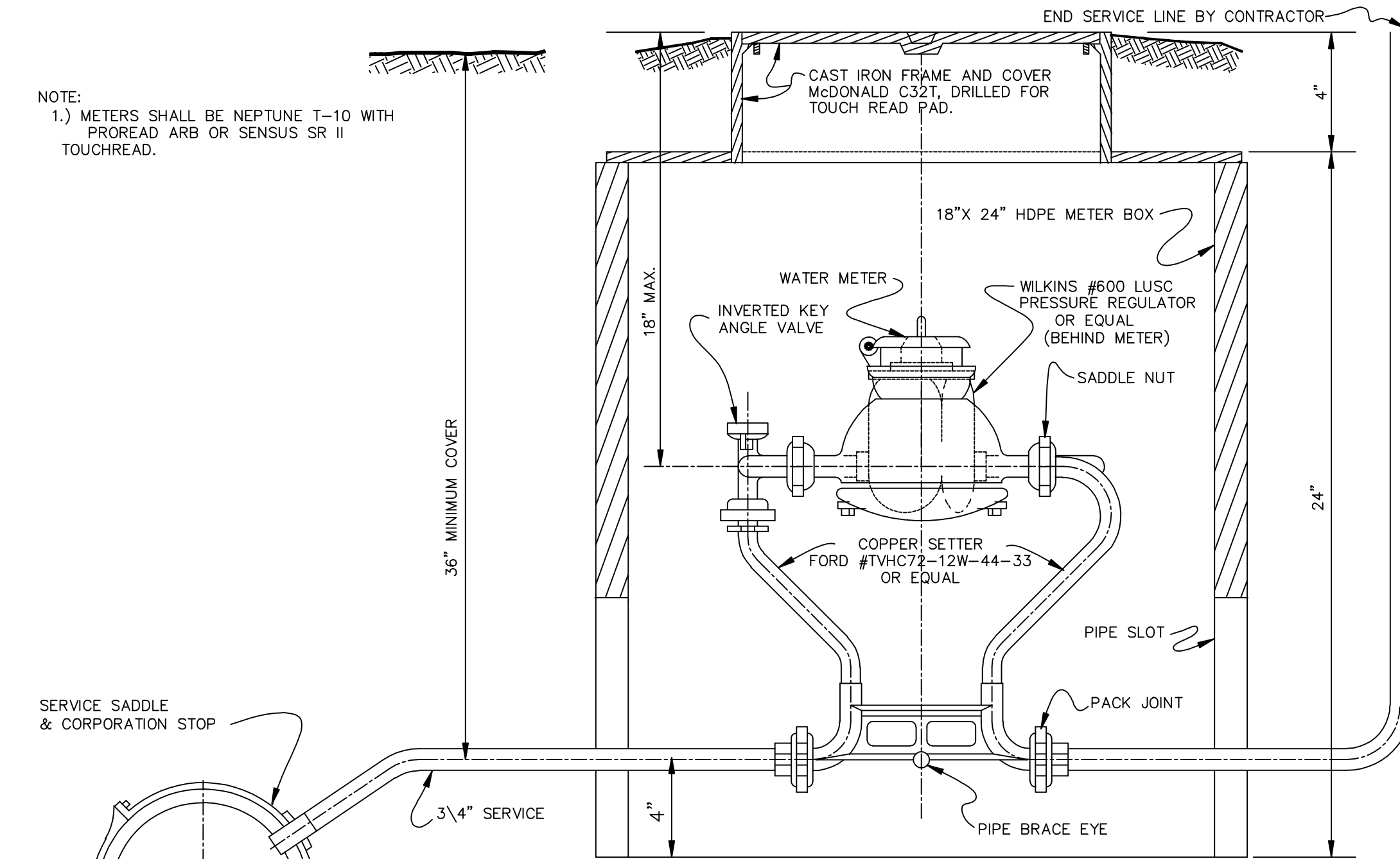


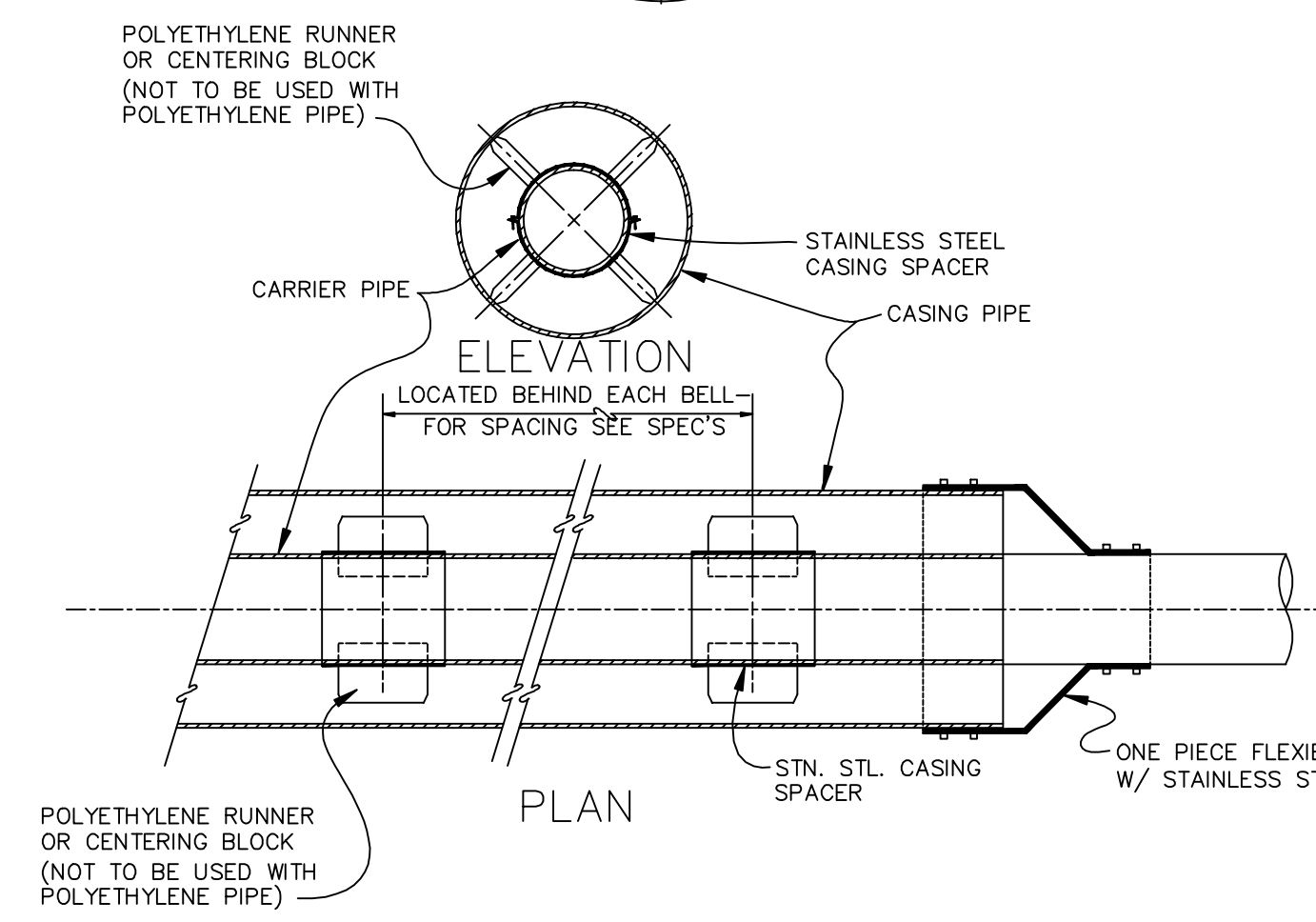
DETECTABLE WARNING TAPE & LOCATING WIRE INSTALLATION FOR ALL UNDERGROUND PIPELINES
N.T.S.



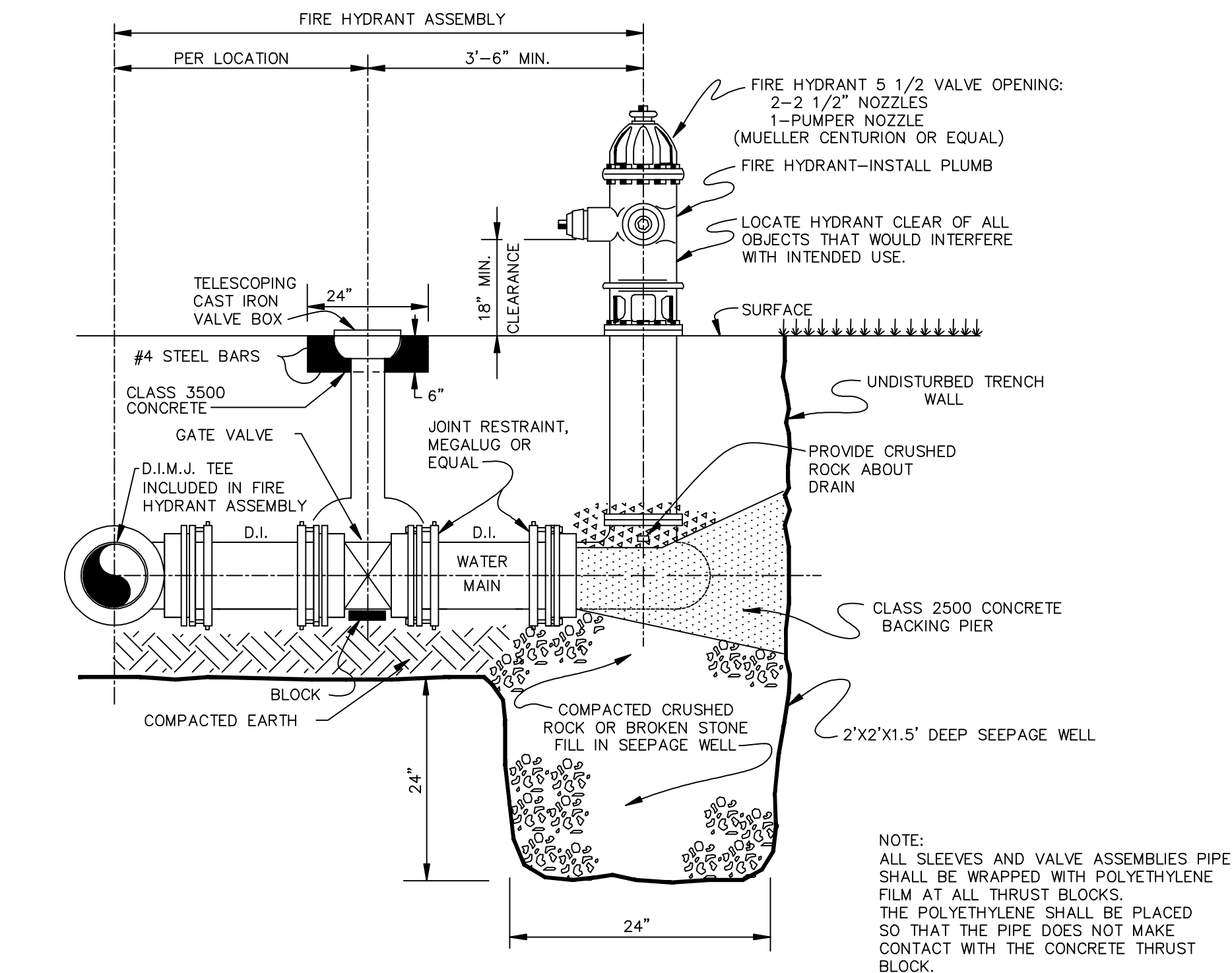
RESILIENT SEAT GATE VALVE INSTALLATION
N.T.S.



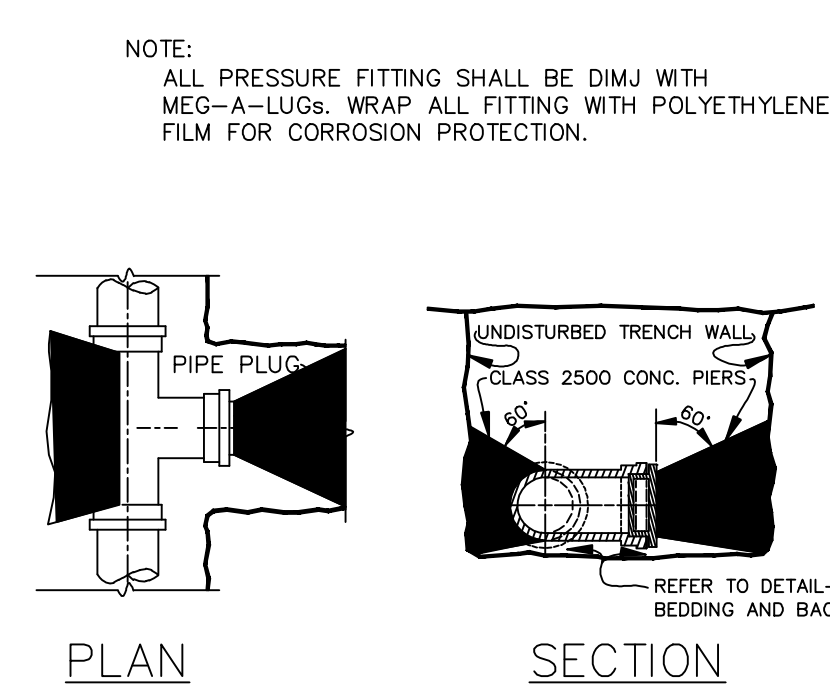
TYPICAL NEW SERVICE FOR AREAS REQUIRING METER SETTING W/PRESSURE REGULATOR
NOT TO SCALE



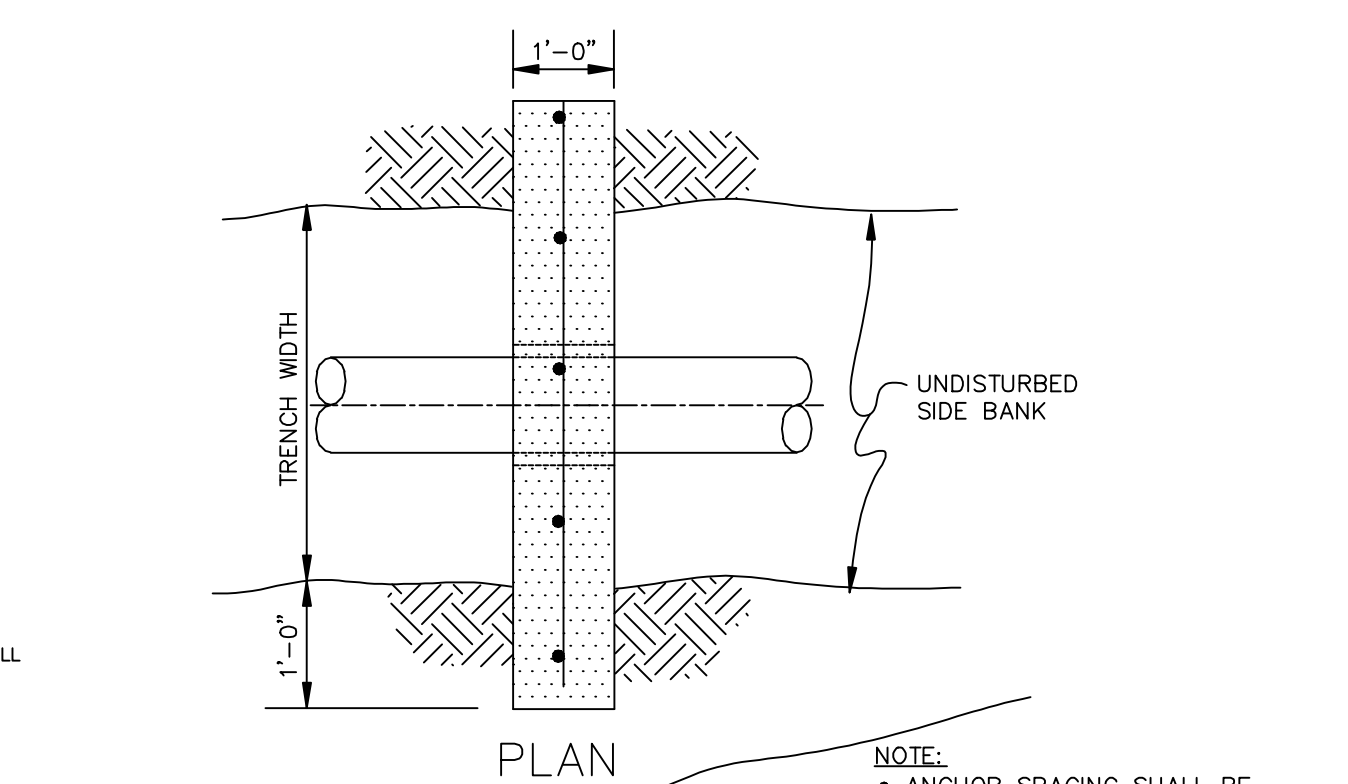
CARRIER PIPE POSITIONING IN CASING PIPE
N.T.S.



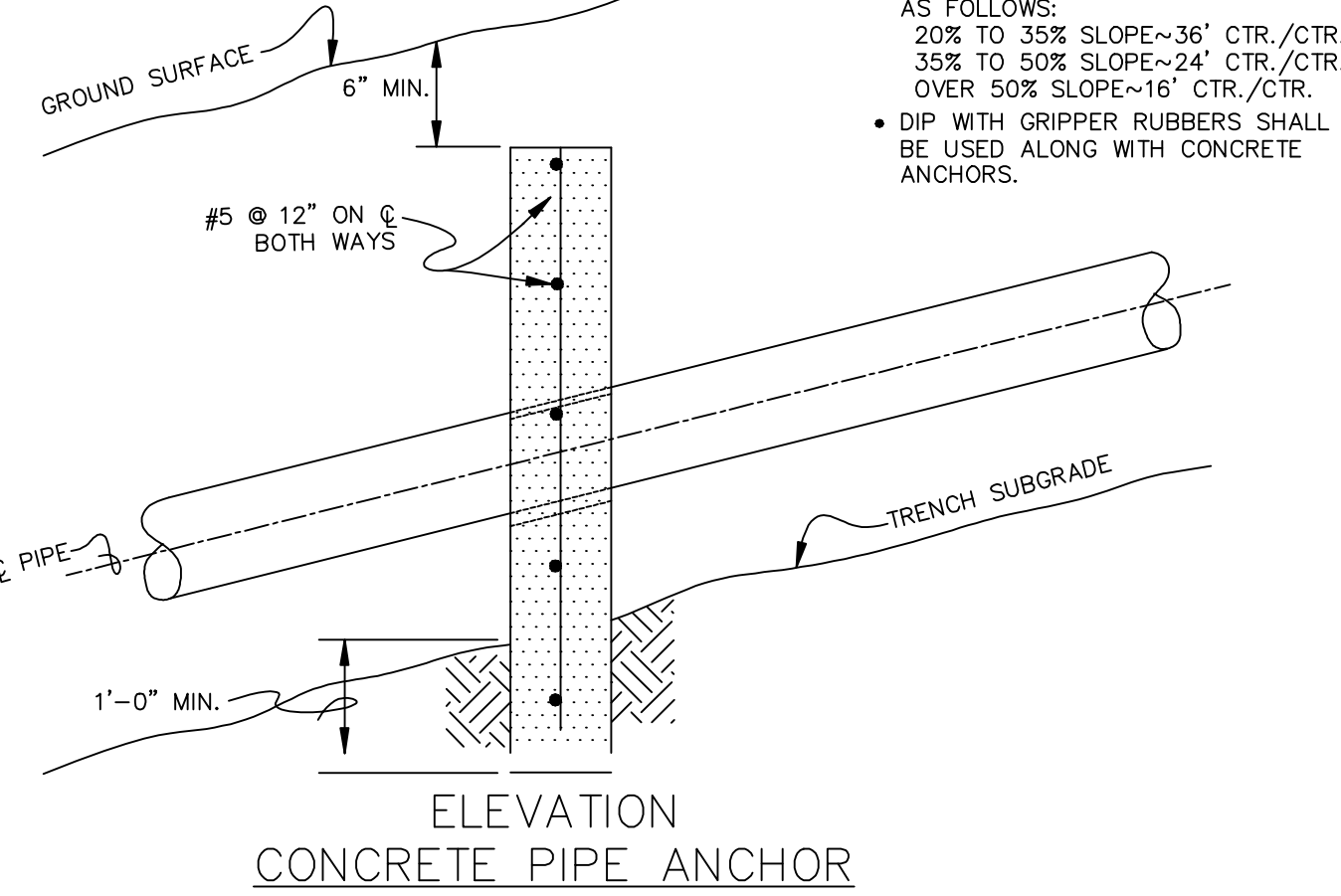
FIRE HYDRANT ASSEMBLY
N.T.S.



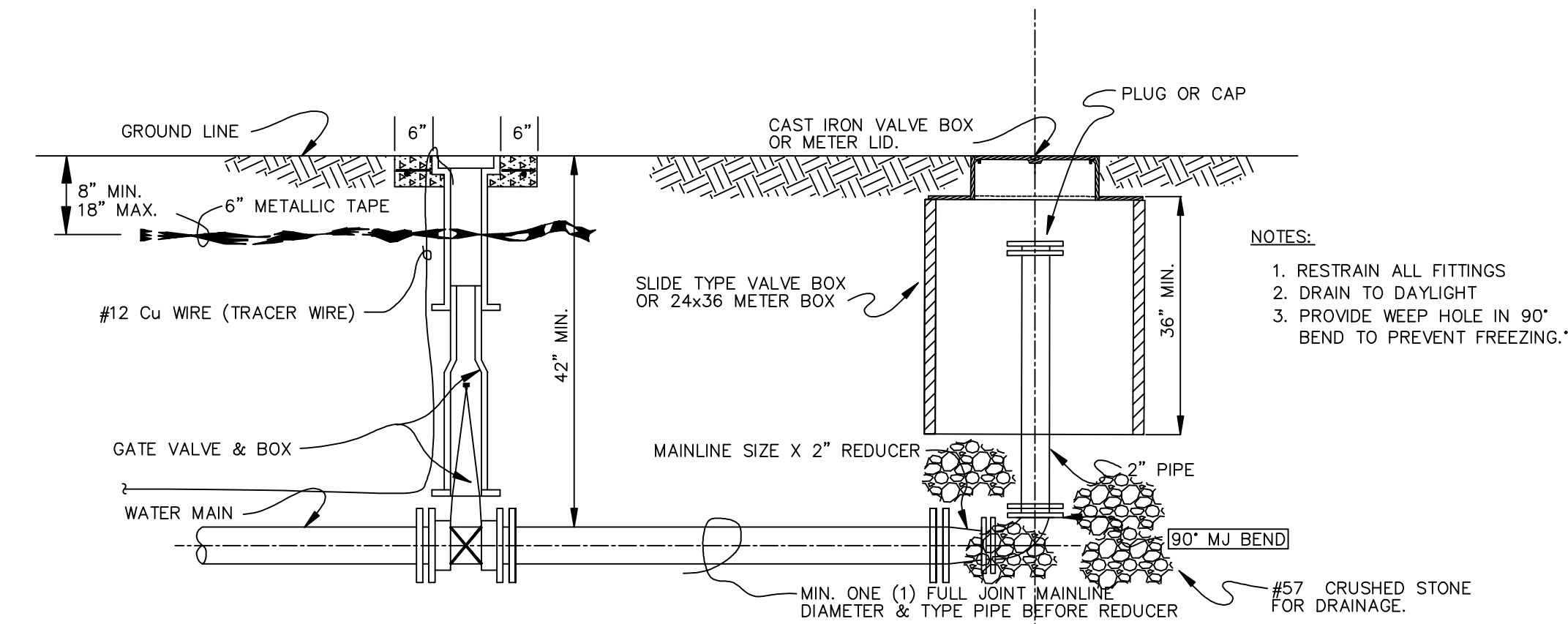
TYPICAL DETAIL OF CONCRETE BACKING AT TEES & PLUGS
N.T.S.



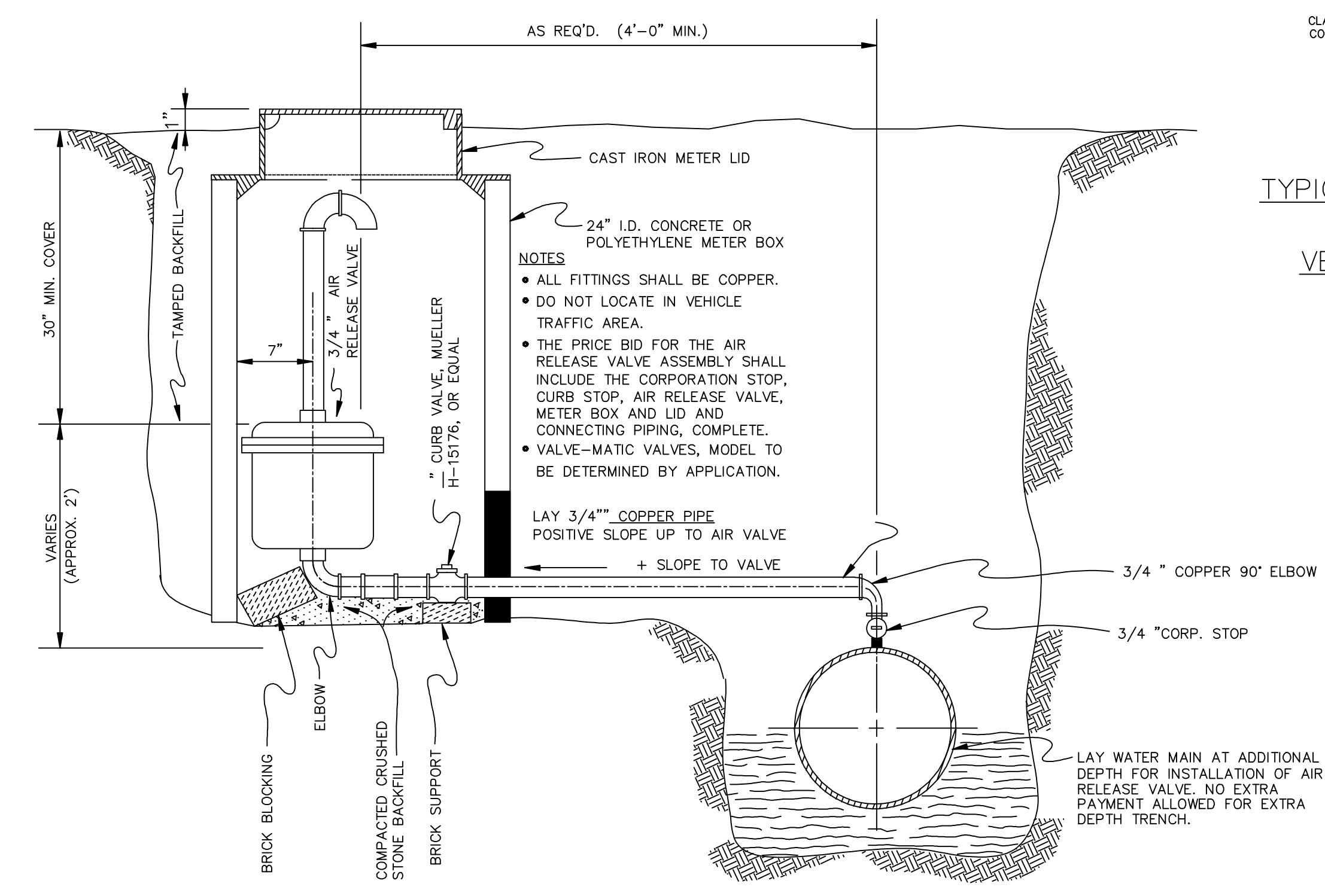
TYPICAL DETAIL OF CONCRETE BACKING AT BENDS VERTICAL & HORIZONTAL
N.T.S.



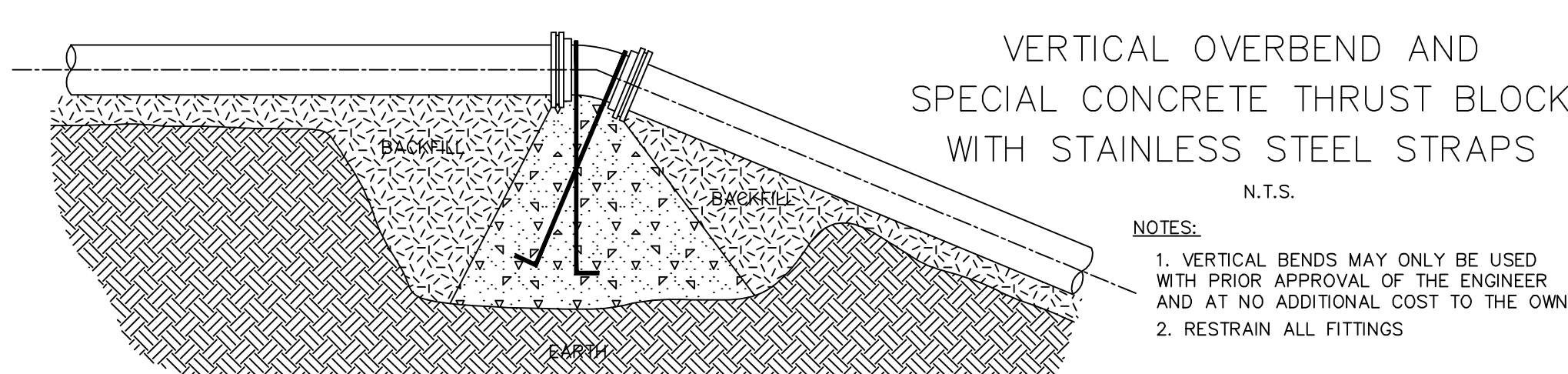
ELEVATION CONCRETE PIPE ANCHOR
N.T.S.



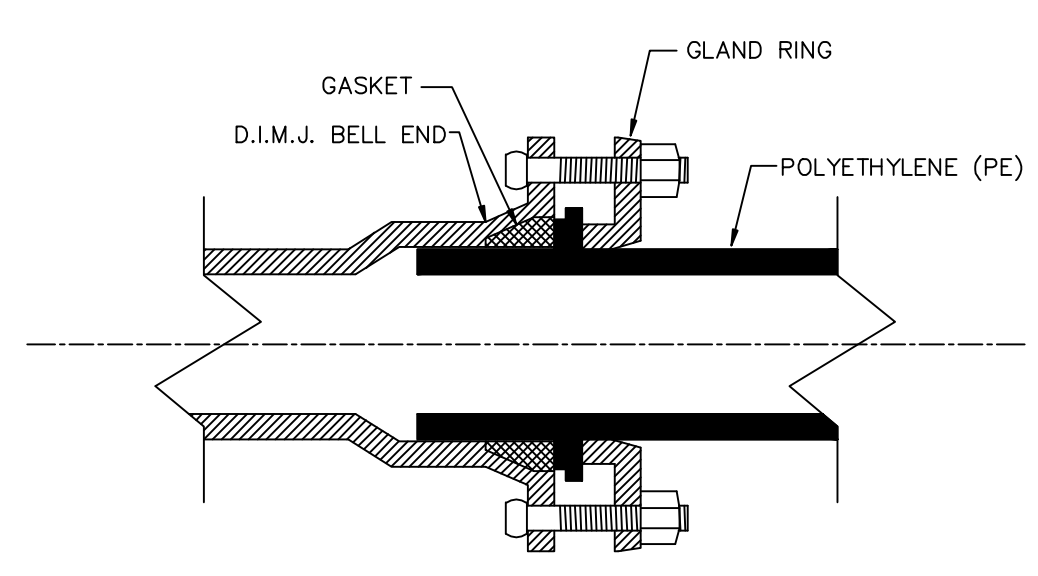
BLOWOFF ASSEMBLY AT END OF WATER MAIN
N.T.S.



AIR VACUUM/AIR RELEASE & VAULT
N.T.S.



VERTICAL OVERBEND AND SPECIAL CONCRETE THRUST BLOCK WITH STAINLESS STEEL STRAPS
N.T.S.



DETAIL TRANSITION D.I. PIPE TO PE PIPE (MJ ADAPTER)
N.T.S.

NO.	DATE	DESCRIPTION
REVISIONS		
Putnam Public Service District Scott Depot, West Virginia WATER DISTRIBUTION SYSTEM		
STANDARD DETAILS APPROVED THROUGH DISTRICT WATER ORDINANCE I		
DRAWN BY: DLM		CHECKED BY: JEH
SCALE: NTS		DATE: FEB., 2007
		DRAWING 1 of 1